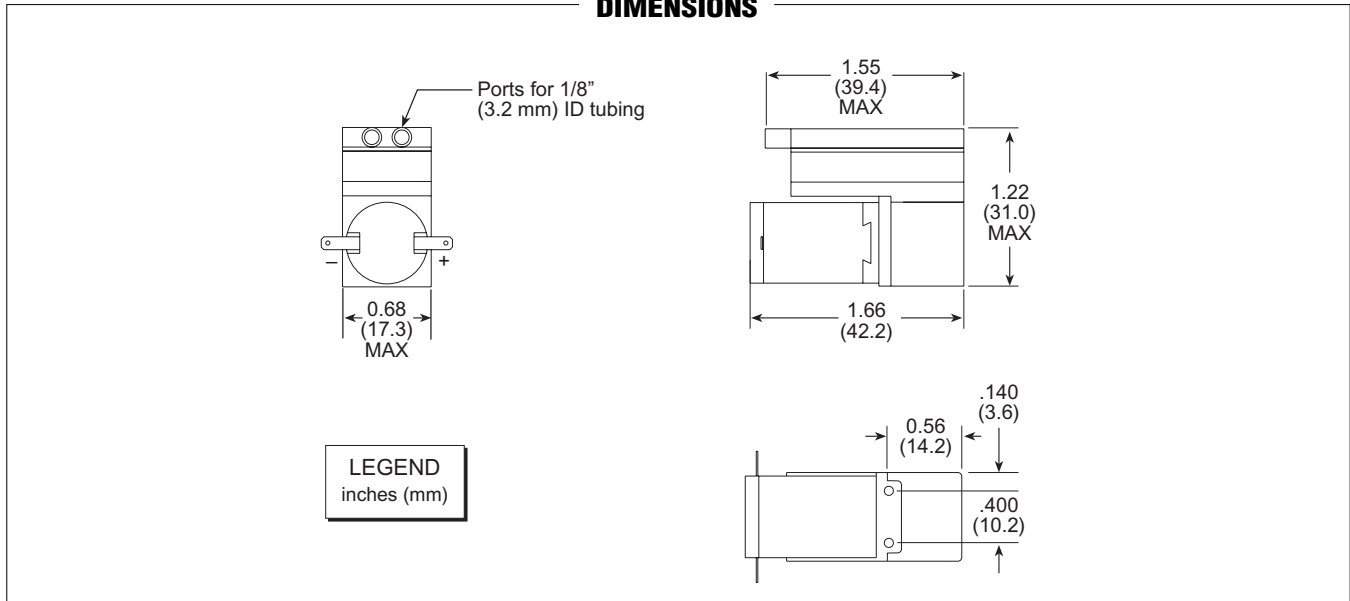


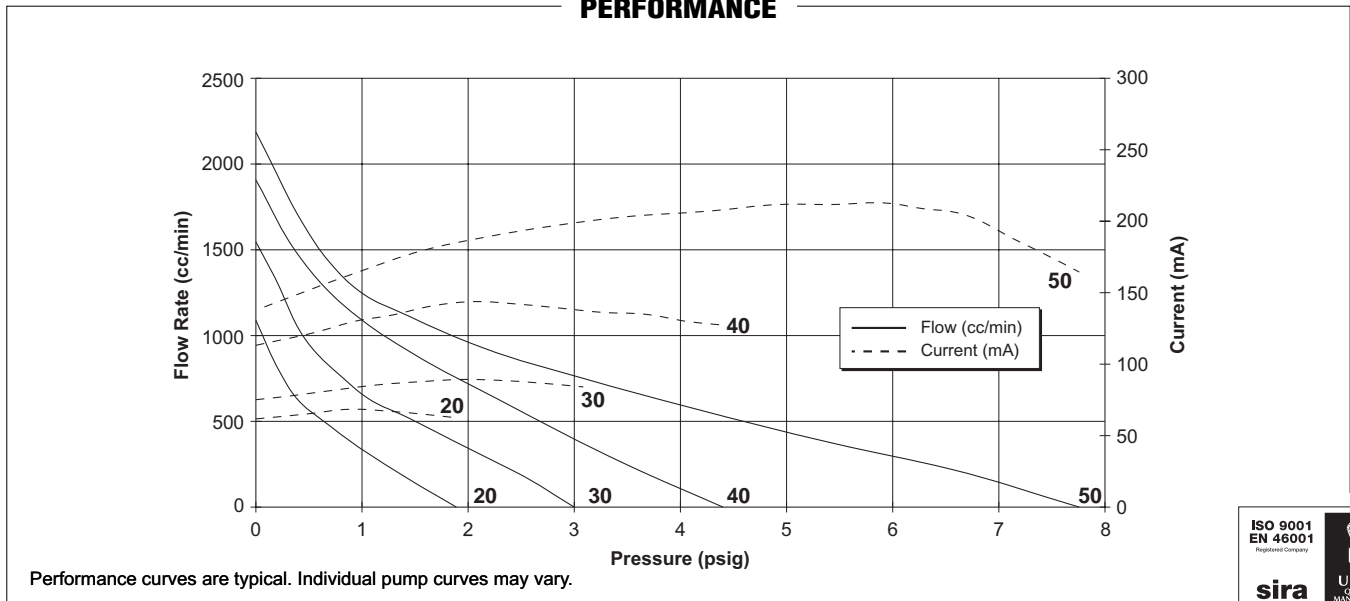
AA Series Micro Air Pump: Part No. AA060CNSN (Pressure) Specifications

	Minimum Free Flow	Minimum Pressure @ Dead Head	Maximum Current @ Free Flow
Model 20	1075 cc/min	1.8 psig (124 mbar)	80 mA
Model 30	1530 cc/min	3.0 psig (207 mbar)	100 mA
Model 40	1885 cc/min	4.3 psig (296 mbar)	140 mA
Model 50	2160 cc/min	7.7 psig (531 mbar)	165 mA
Rated Voltage	6.0 volts DC		
Motor Construction	Ironless Rotor		
Diaphragm Material	Neoprene (EPDM and Viton also available)		
Pump Body Material	Ryton		
Operating Temperature Range	32°–122°F (0°–50°C)		
Weight	1.2 oz (35 grams)		
Size	1.4 cubic inches		
Options	Counterweight (for vibration reduction); Four Port Locations; Ports for 3/32" (2.4 mm) I.D. Tubing.		

DIMENSIONS



PERFORMANCE

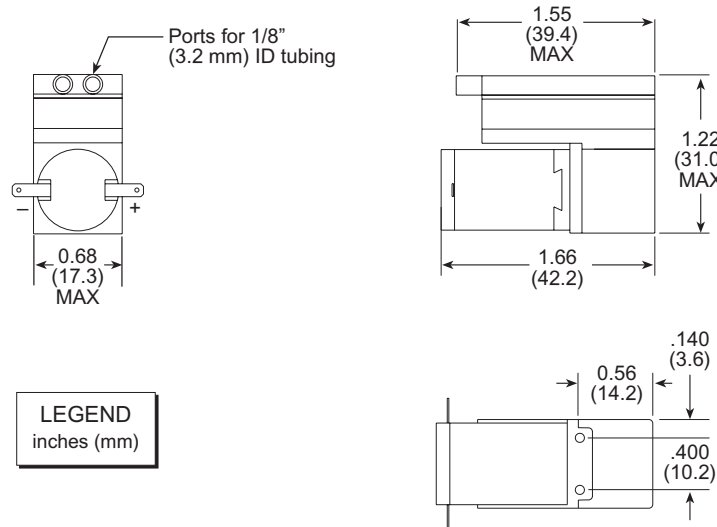


Performance curves are typical. Individual pump curves may vary.

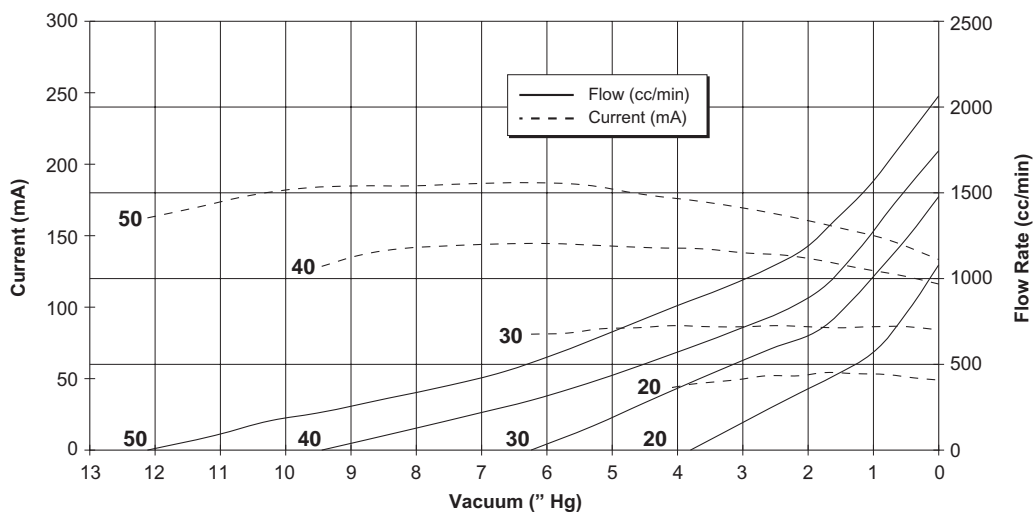
AA Series Micro Air Pump: Part No. AA060CNSN (Vacuum) Specifications

	Minimum Free Flow	Minimum Vacuum @ Dead Head	Maximum Current @ Free Flow
Model 20	1010 cc/min	3.7 " Hg (138 mbar)	80 mA
Model 30	1465 cc/min	6.2 " Hg (209 mbar)	100 mA
Model 40	1740 cc/min	9.4 " Hg (317 mbar)	140 mA
Model 50	2040 cc/min	12.1 " Hg (409 mbar)	165 mA
Rated Voltage	6.0 volts DC		
Motor Construction	Ironless Rotor		
Diaphragm Material	Neoprene (EPDM and Viton also available)		
Pump Body Material	Ryton		
Operating Temperature Range	32°–122°F (0°–50°C)		
Weight	1.2 oz (35 grams)		
Size	1.4 cubic inches		
Options	Counterweight (for vibration reduction); Four Port Locations; Ports for 3/32" (2.4 mm) I.D. Tubing.		

DIMENSIONS



PERFORMANCE

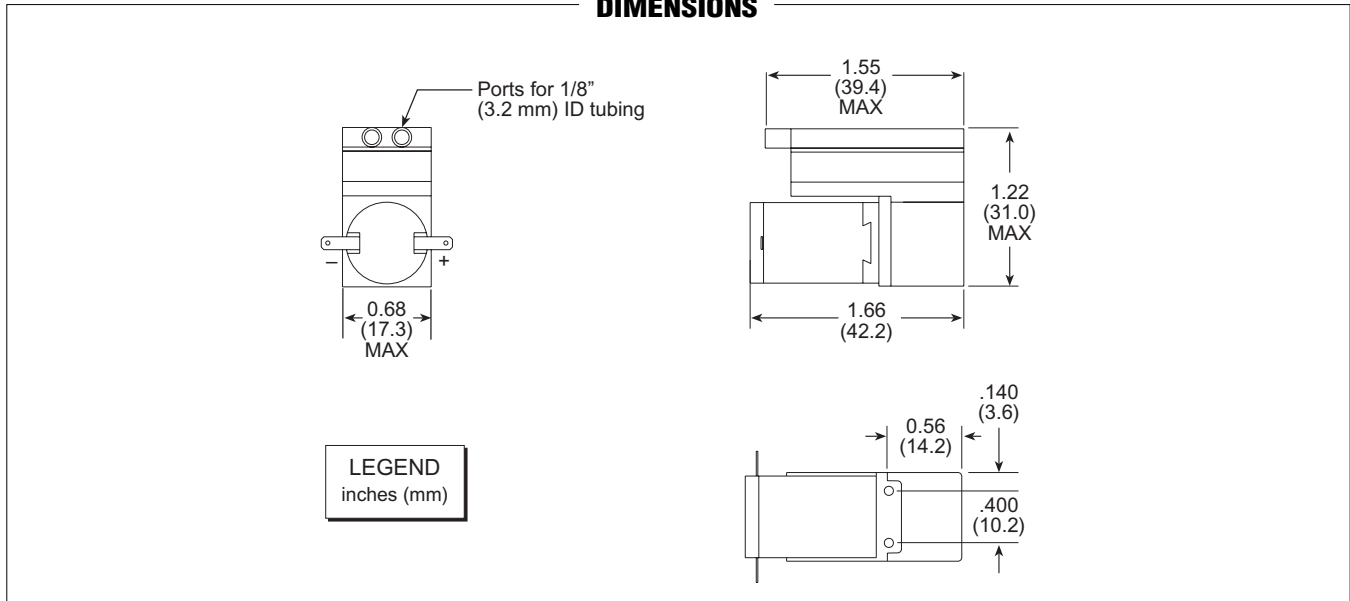


Performance curves are typical. Individual pump curves may vary.

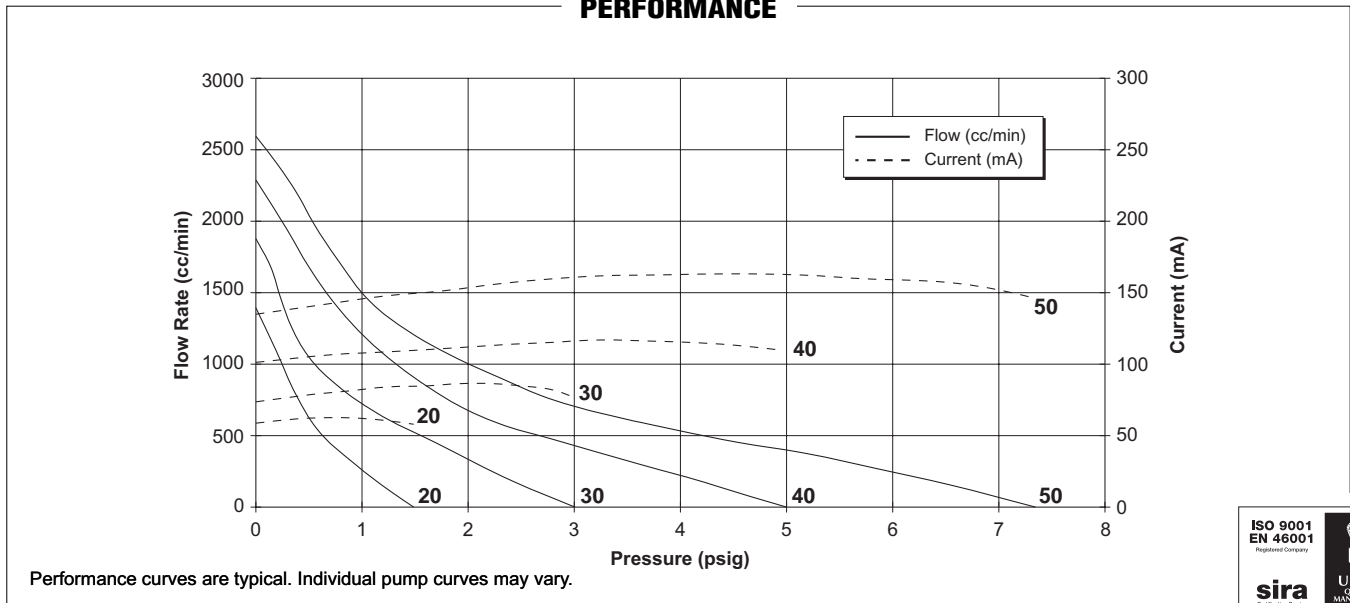
AA Series Micro Air Pump: Part No. AA090CNSN (Pressure) Specifications

	Minimum Free Flow	Minimum Pressure @ Dead Head	Maximum Current @ Free Flow
Model 20	1385 cc/min	1.5 psig (103 mbar)	75 mA
Model 30	1860 cc/min	3.0 psig (209 mbar)	95 mA
Model 40	2275 cc/min	5.0 psig (345 mbar)	115 mA
Model 50	2605 cc/min	7.4 psig (510 mbar)	175 mA
Rated Voltage	9.0 volts DC		
Motor Construction	Ironless Rotor		
Diaphragm Material	Neoprene (EPDM and Viton also available)		
Pump Body Material	Ryton		
Operating Temperature Range	32°–122°F (0°–50°C)		
Weight	1.2 oz (35 grams)		
Size	1.4 cubic inches		
Options	Counterweight (for vibration reduction); Four Port Locations; Ports for 3/32" (2.4 mm) I.D. Tubing.		

DIMENSIONS



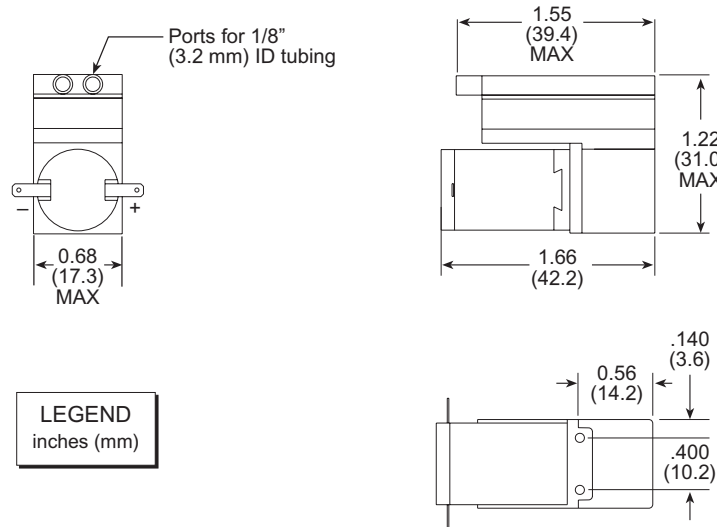
PERFORMANCE



AA Series Micro Air Pump: Part No. AA090CNSN (Vacuum) Specifications

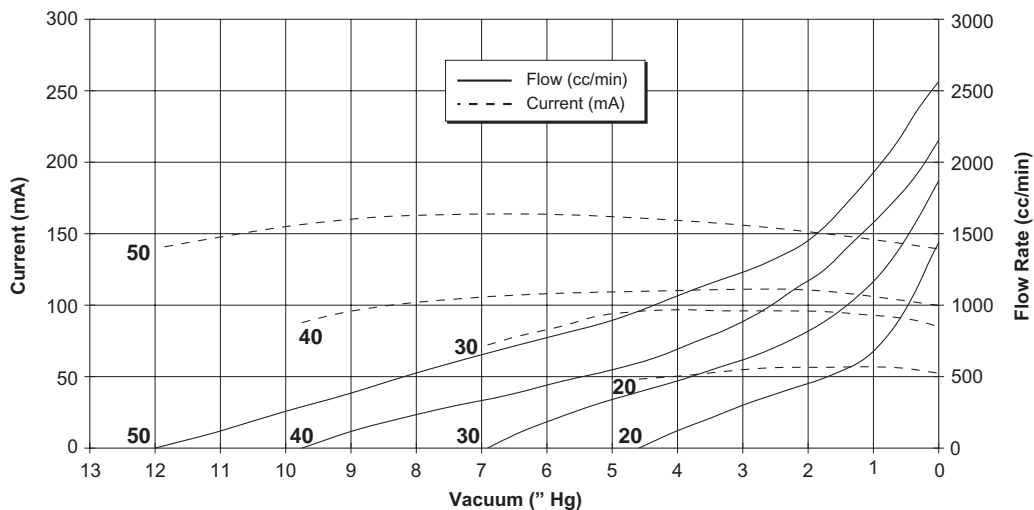
	Minimum Free Flow	Minimum Vacuum @ Dead Head	Maximum Current @ Free Flow
Model 20	1400 cc/min	4.5 " Hg (152 mbar)	75 mA
Model 30	1835 cc/min	6.9 " Hg (233 mbar)	95 mA
Model 40	2095 cc/min	9.7 " Hg (328 mbar)	115 mA
Model 50	2510 cc/min	12.0 " Hg (405 mbar)	175 mA
Rated Voltage	9.0 volts DC		
Motor Construction	Ironless Rotor		
Diaphragm Material	Neoprene (EPDM and Viton also available)		
Pump Body Material	Ryton		
Operating Temperature Range	32°–122°F (0°–50°C)		
Weight	1.2 oz (35 grams)		
Size	1.4 cubic inches		
Options	Counterweight (for vibration reduction); Four Port Locations; Ports for 3/32" (2.4 mm) I.D. Tubing.		

DIMENSIONS



LEGEND
inches (mm)

PERFORMANCE

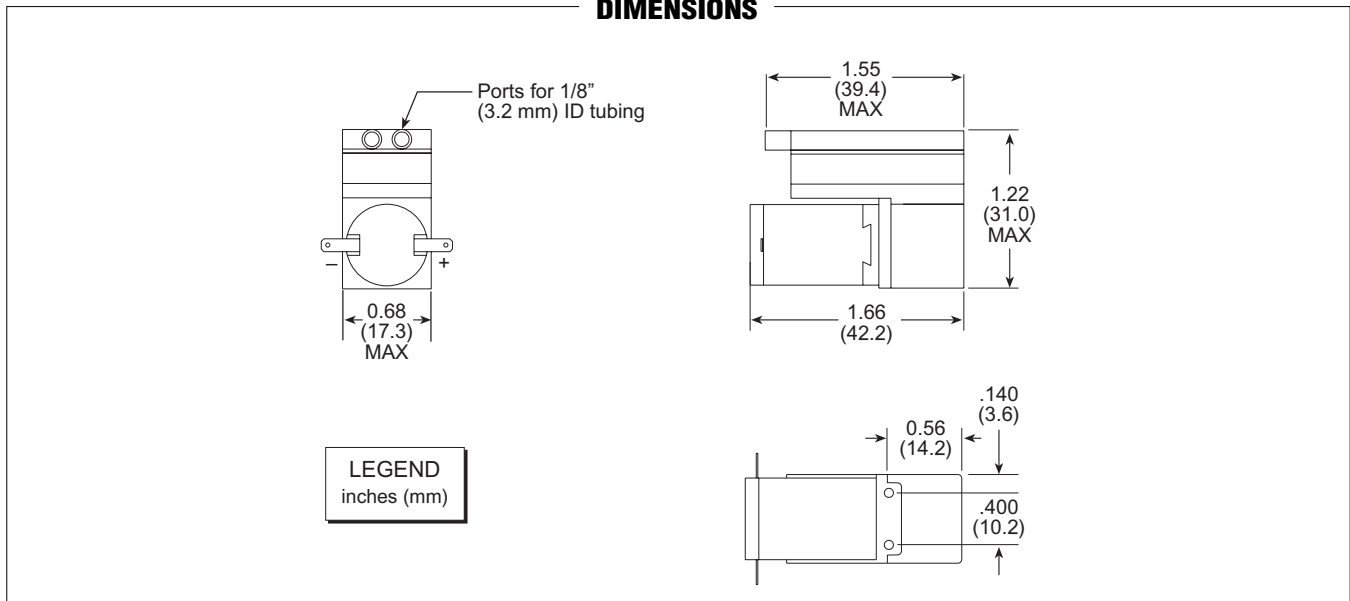


Performance curves are typical. Individual pump curves may vary.

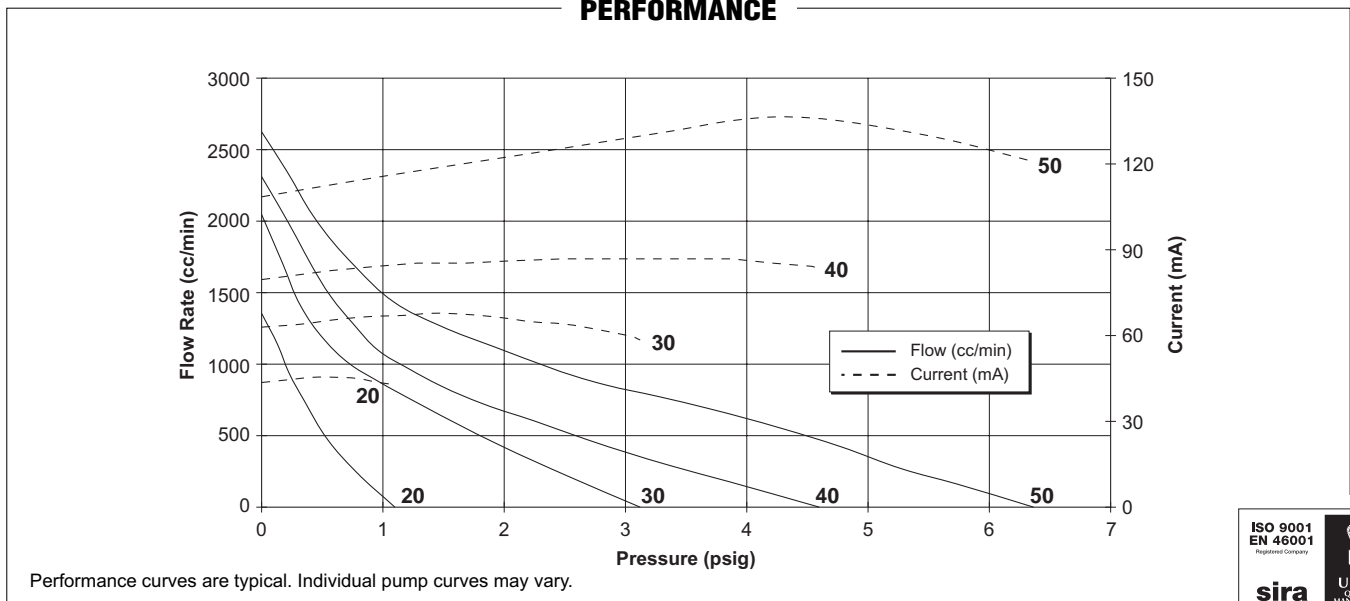
AA Series Micro Air Pump: Part No. AA120CNSN (Pressure) Specifications

	Minimum Free Flow	Minimum Pressure @ Dead Head	Maximum Current @ Free Flow
Model 20	1385 cc/min	1.1 psig (76 mbar)	55 mA
Model 30	2015 cc/min	3.1 psig (214 mbar)	80 mA
Model 40	2340 cc/min	4.6 psig (317 mbar)	105 mA
Model 50	2660 cc/min	6.3 psig (434 mbar)	120 mA
Rated Voltage	12.0 volts DC		
Motor Construction	Ironless Rotor		
Diaphragm Material	Neoprene (EPDM and Viton also available)		
Pump Body Material	Ryton		
Operating Temperature Range	32°–122°F (0°–50°C)		
Weight	1.2 oz (35 grams)		
Size	1.4 cubic inches		
Options	Counterweight (for vibration reduction); Four Port Locations; Ports for 3/32" (2.4 mm) I.D. Tubing.		

DIMENSIONS



PERFORMANCE

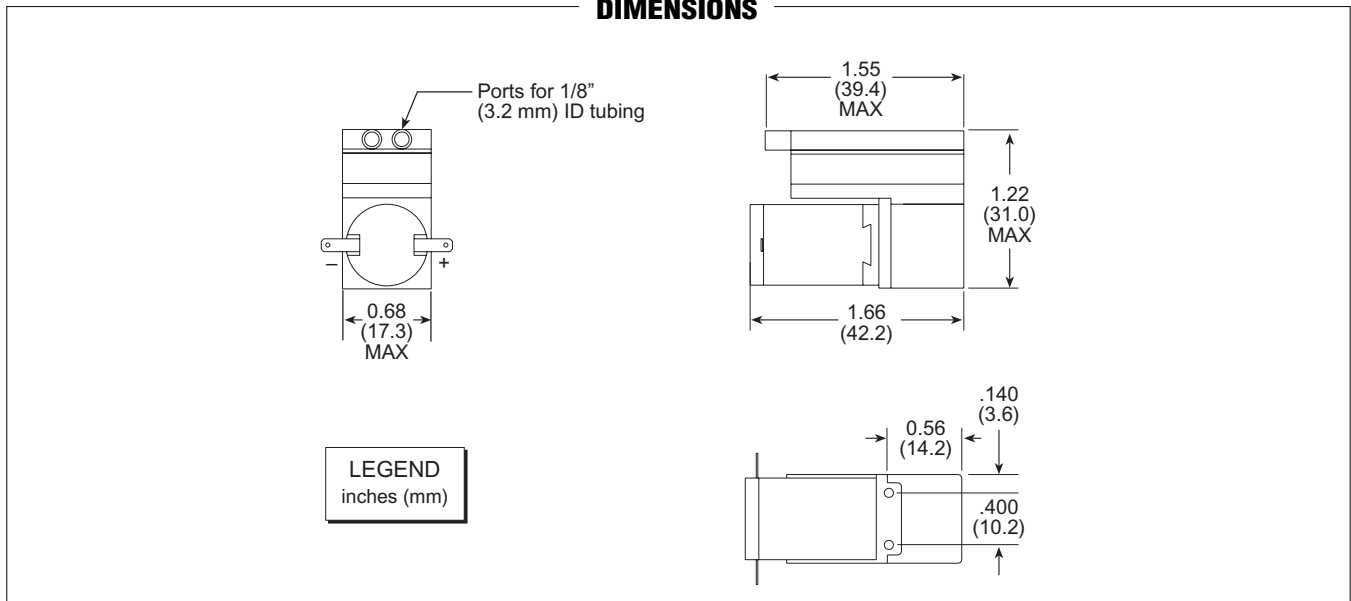


Performance curves are typical. Individual pump curves may vary.

AA Series Micro Air Pump: Part No. AA120CNSN (Vacuum) Specifications

	Minimum Free Flow	Minimum Vacuum @ Dead Head	Maximum Current @ Free Flow
Model 20	1345 cc/min	3.2 " Hg (108 mbar)	55 mA
Model 30	1720 cc/min	6.6 " Hg (223 mbar)	80 mA
Model 40	2170 cc/min	9.6 " Hg (324 mbar)	105 mA
Model 50	2530 cc/min	12.6 " Hg (425 mbar)	120 mA
Rated Voltage	12.0 volts DC		
Motor Construction	Ironless Rotor		
Diaphragm Material	Neoprene (EPDM and Viton also available)		
Pump Body Material	Ryton		
Operating Temperature Range	32°–122°F (0°–50°C)		
Weight	1.2 oz (35 grams)		
Size	1.4 cubic inches		
Options	Counterweight (for vibration reduction); Four Port Locations; Ports for 3/32" (2.4 mm) I.D. Tubing.		

DIMENSIONS



PERFORMANCE

