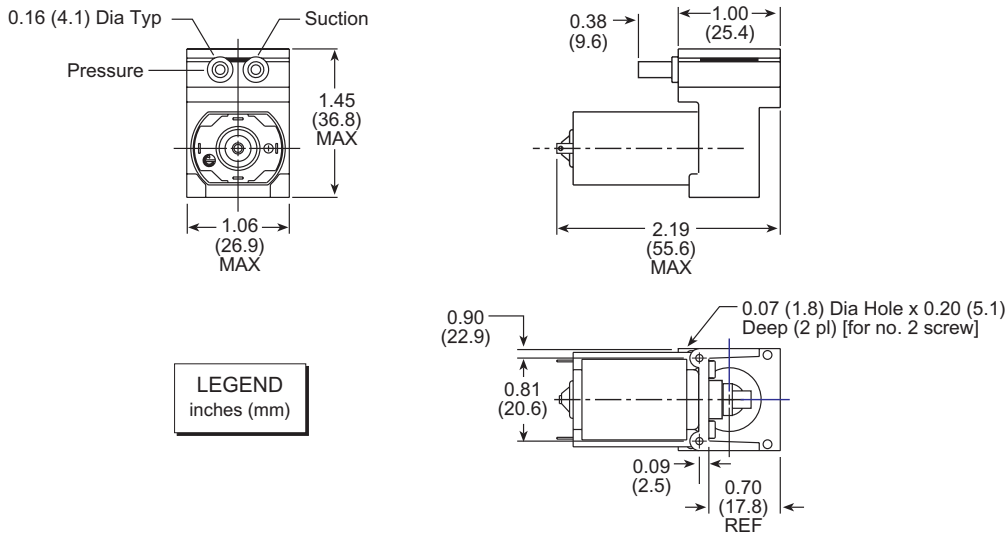


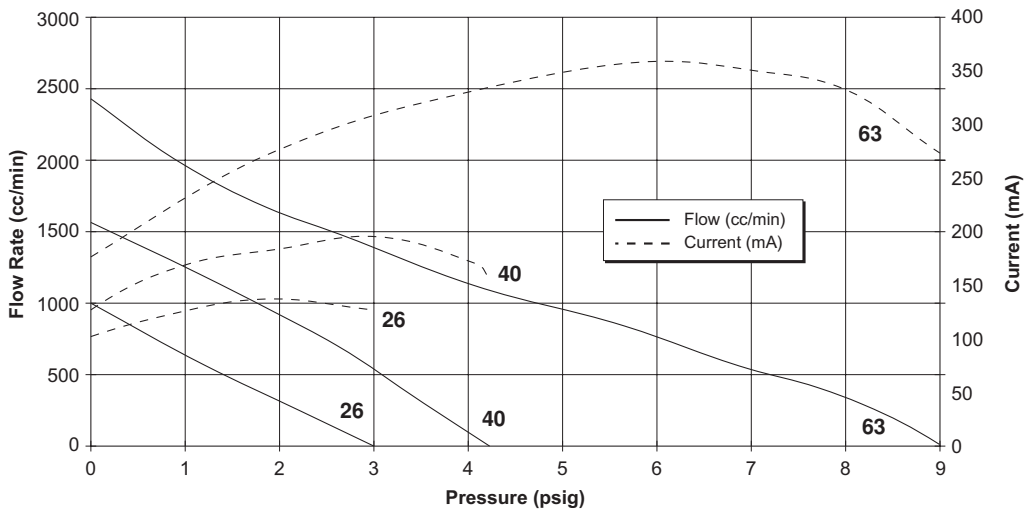
**A Series Micro Air Pump: Part No. A060INSN (Pressure) Specifications**

	Minimum Free Flow	Minimum Pressure @ Dead Head	Maximum Current @ Free Flow
<b>Model 26</b> .....	1060 cc/min .....	2.4 psig (165 mbar) .....	105 mA
<b>Model 40</b> .....	1560 cc/min .....	4.2 psig (290 mbar) .....	140 mA
<b>Model 63</b> .....	2425 cc/min .....	9.0 psig (620 mbar) .....	190 mA
<b>Rated Voltage</b> .....	6.0 volts DC		
<b>Motor Construction</b> .....	Iron Core		
<b>Diaphragm Material</b> .....	Neoprene (EPDM and Viton also available)		
<b>Pump Body Material</b> .....	Valox		
<b>Operating Temperature Range</b> .....	32°–122°F (0°–50°C)		
<b>Weight</b> .....	2.1 oz (60 grams)		
<b>Size</b> .....	3.4 cubic inches		
<b>Options</b> .....	Five Port Locations		

**DIMENSIONS**



**PERFORMANCE**



Performance curves are typical. Individual pump curves may vary.



Certificate No. 970084