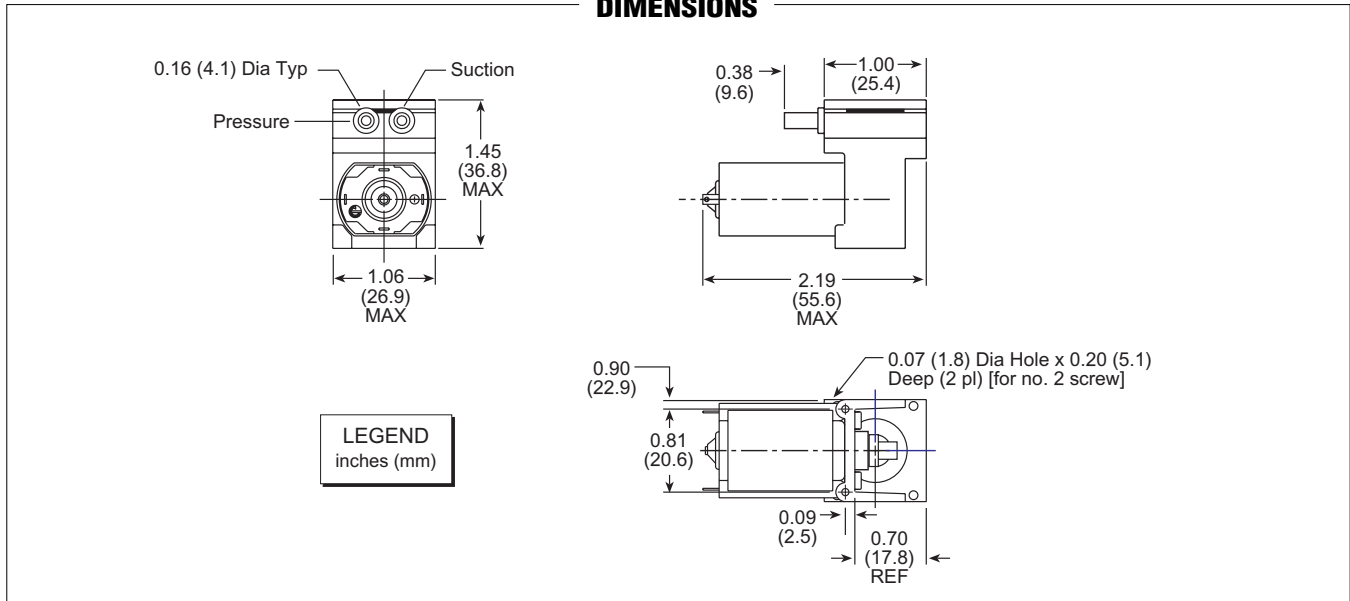


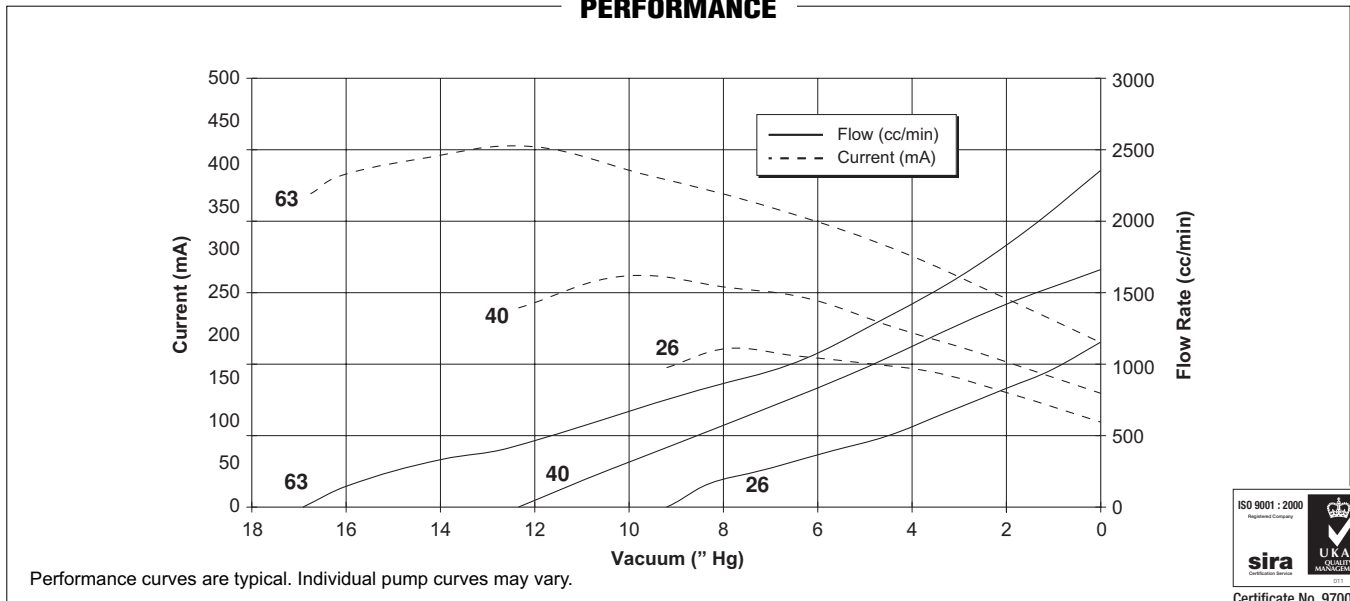
A Series Micro Air Pump: Part No. A060INSN (Vacuum) Specifications

	Minimum Free Flow	Minimum Vacuum @ Dead Head	Maximum Current @ Free Flow
Model 26	1160 cc/min	8.2 " Hg (277 mbar)	110 mA
Model 40	1725 cc/min	12.5 " Hg (422 mbar)	145 mA
Model 63	2420 cc/min	17.0 " Hg (574 mbar)	205 mA
Rated Voltage	6.0 volts DC		
Motor Construction	Iron Core		
Diaphragm Material	Neoprene (EPDM and Viton also available)		
Pump Body Material	Valox		
Operating Temperature Range	32°–122°F (0°–50°C)		
Weight	2.1 oz (60 grams)		
Size	3.4 cubic inches		
Options	Five Port Locations		

DIMENSIONS



PERFORMANCE



Performance curves are typical. Individual pump curves may vary.

