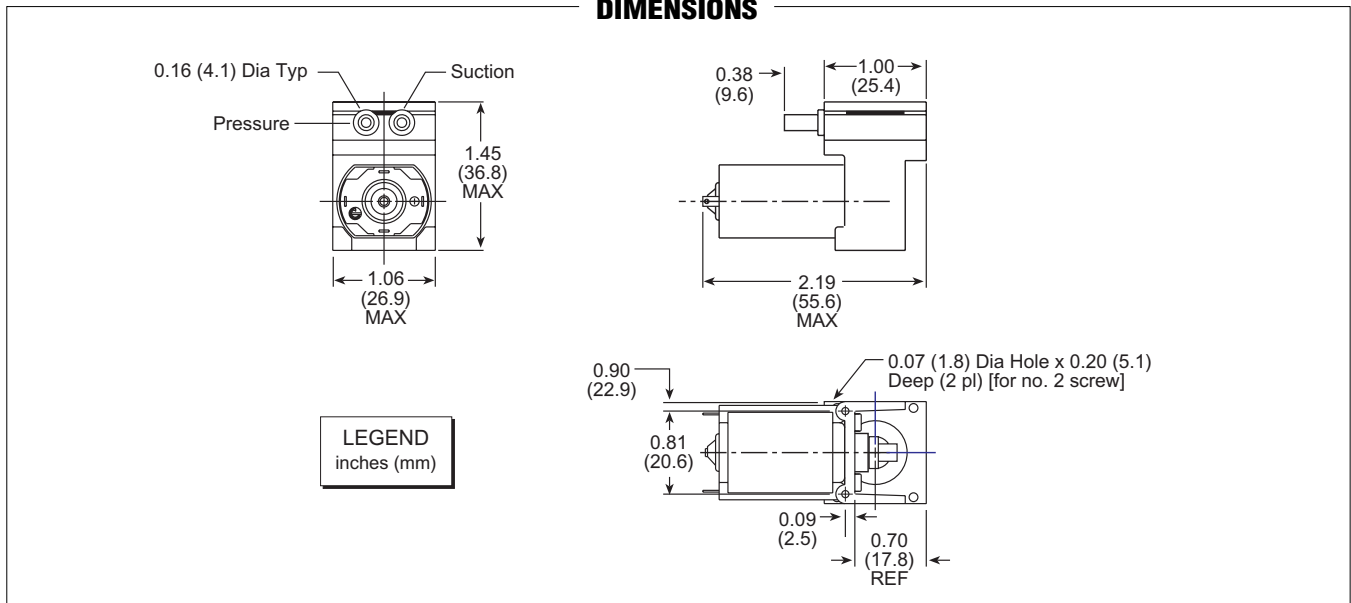


A Series Micro Air Pump: Part No. A120INSN (Pressure) Specifications

	Minimum Free Flow	Minimum Pressure @ Dead Head	Maximum Current @ Free Flow
Model 26	1430 cc/min	2.5 psig (172 mbar)	65 mA
Model 40	2220 cc/min	5.0 psig (345 mbar)	81 mA
Model 63	2835 cc/min	8.5 psig (586 mbar)	135 mA
Rated Voltage	12.0 volts DC		
Motor Construction	Iron Core		
Diaphragm Material	Neoprene (EPDM and Viton also available)		
Pump Body Material	Valox		
Operating Temperature Range	32°–122°F (0°–50°C)		
Weight	2.1 oz (60 grams)		
Size	3.4 cubic inches		
Options	Five Port Locations		

DIMENSIONS



PERFORMANCE

