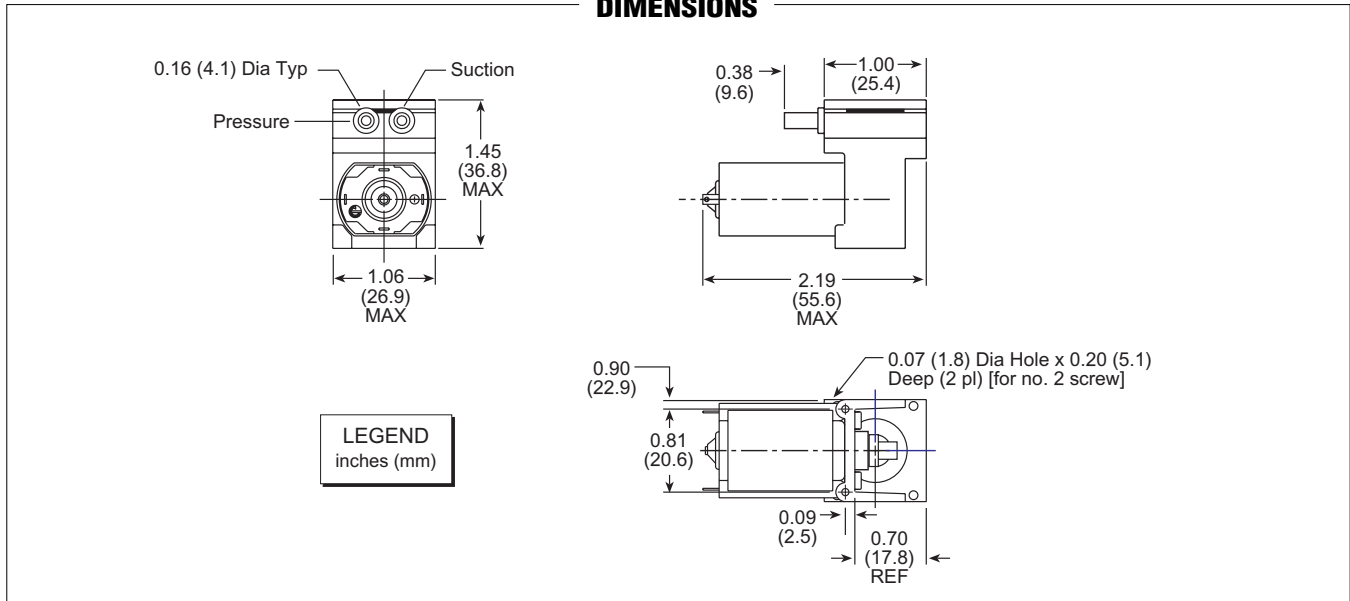


**A Series Micro Air Pump: Part No. A120INSN (Vacuum) Specifications**

	<b>Minimum Free Flow</b>	<b>Minimum Vacuum @ Dead Head</b>	<b>Maximum Current @ Free Flow</b>
<b>Model 26</b> .....	1500 cc/min .....	8.0 " Hg (270 mbar) .....	70 mA
<b>Model 40</b> .....	2200 cc/min .....	12.8 " Hg (432 mbar) .....	90 mA
<b>Model 63</b> .....	3240 cc/min .....	18.0 " Hg (608 mbar) .....	145 mA
<b>Rated Voltage</b> .....	12.0 volts DC		
<b>Motor Construction</b> .....	Iron Core		
<b>Diaphragm Material</b> .....	Neoprene (EPDM and Viton also available)		
<b>Pump Body Material</b> .....	Valox		
<b>Operating Temperature Range</b> .....	32°–122°F (0°–50°C)		
<b>Weight</b> .....	2.1 oz (60 grams)		
<b>Size</b> .....	3.4 cubic inches		
<b>Options</b> .....	Five Port Locations		

**DIMENSIONS**



**PERFORMANCE**

