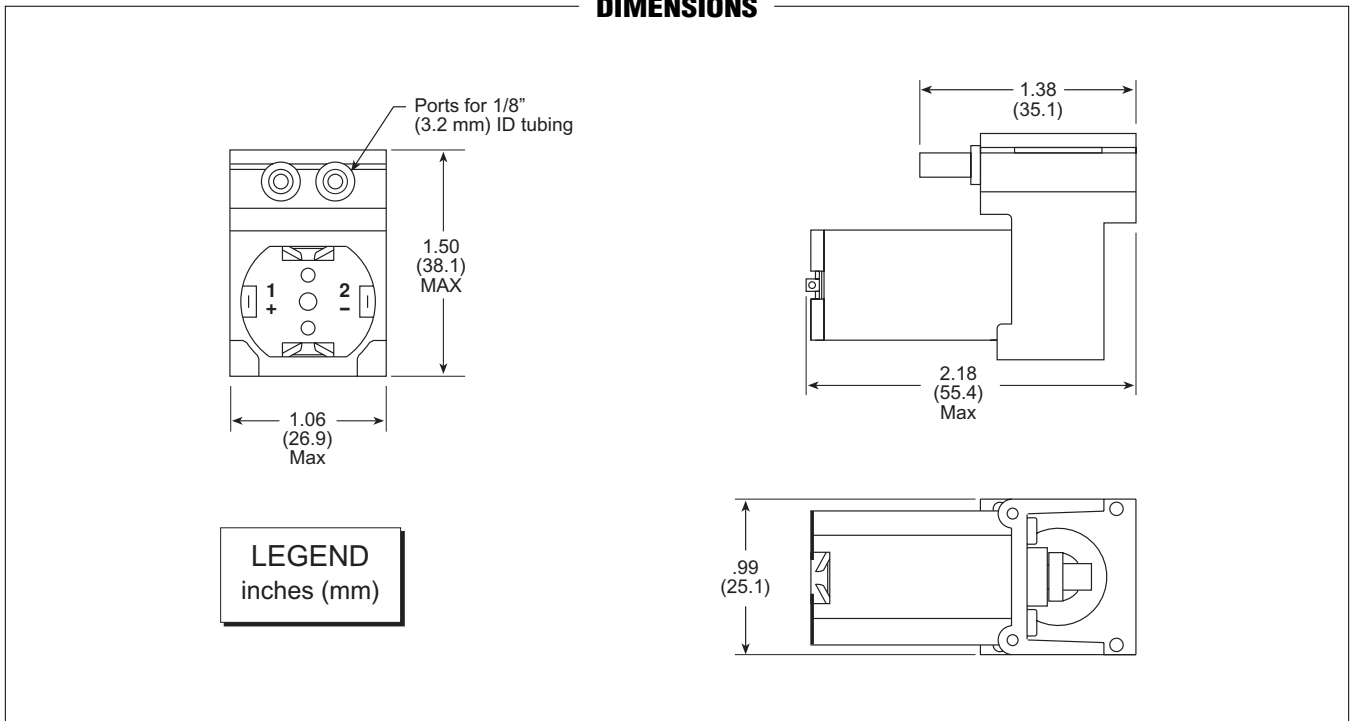


Sensidyne,
 1000 112th Circle North, Suite 100 • St. Petersburg, FL 33716
 800-451-9444 • 727-530-3602 • Fax: 727-532-6930

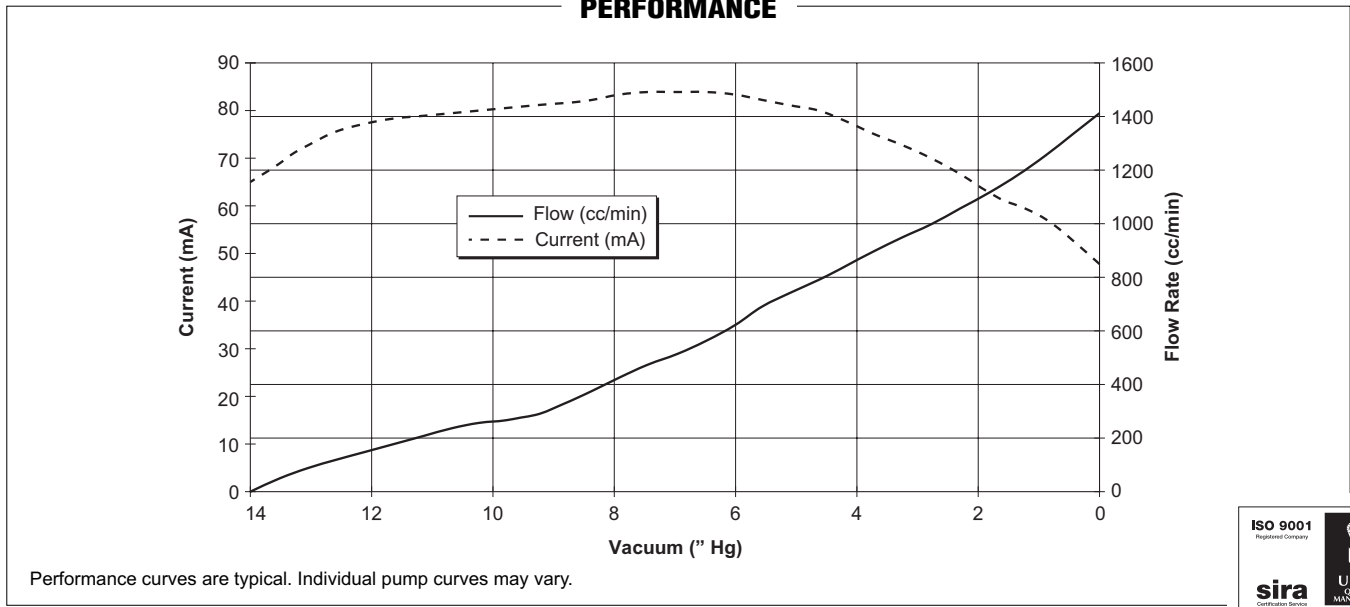
Series "A": Part No. 801503

Rated Voltage 12 volts DC
 Maximum Power Consumption 1.2 watts
 Free Flow @ Rated Voltage 1400 cc/min
 Maximum Dead Head Suction 14" Hg
 Diaphragm Material Silicone, Neoprene,
 Viton (convoluted)
 Motor Construction Iron Core Motor
 Operating Temperature Range 32°–122°F (0°–50°C)
 Weight 2.0 oz (56 g)

DIMENSIONS



PERFORMANCE

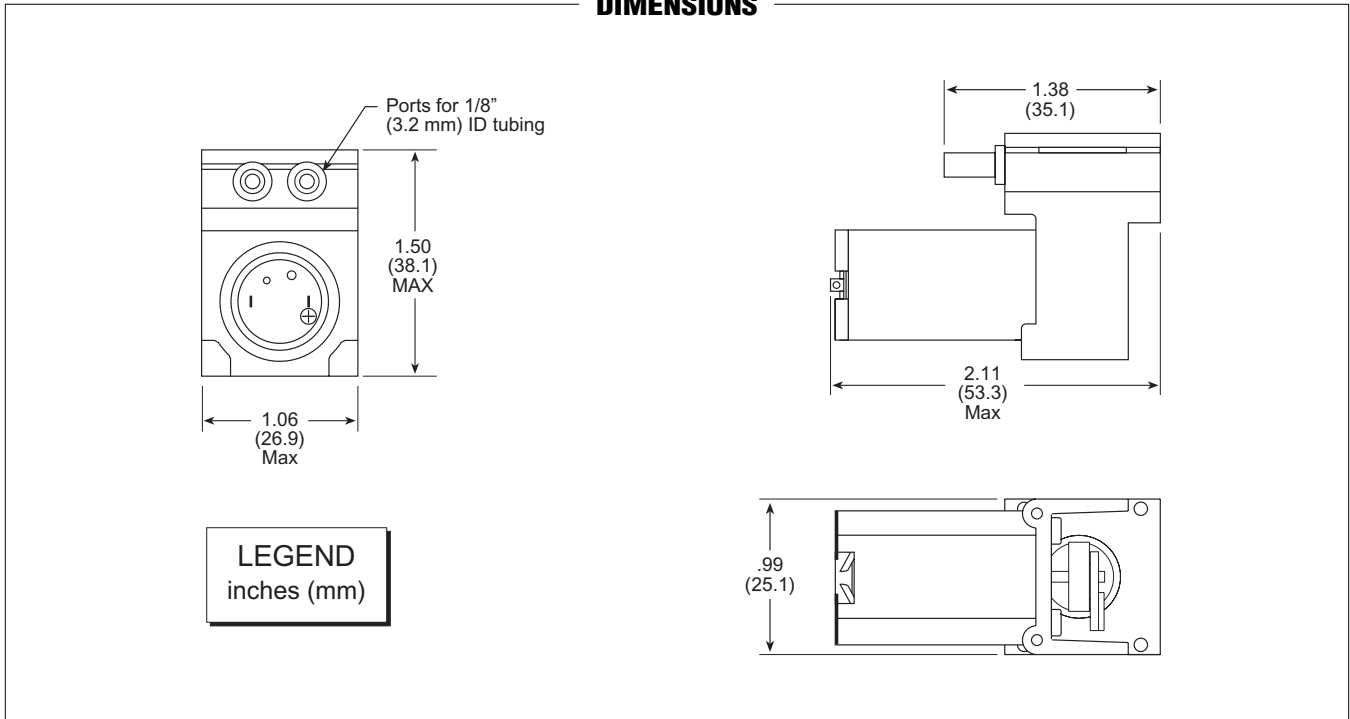


Sensidyne,
 1000 112th Circle North, Suite 100 • St. Petersburg, FL 33716
 800-451-9444, ext 609 • 727-530-3602, ext 609
 Fax: 727-532-6930

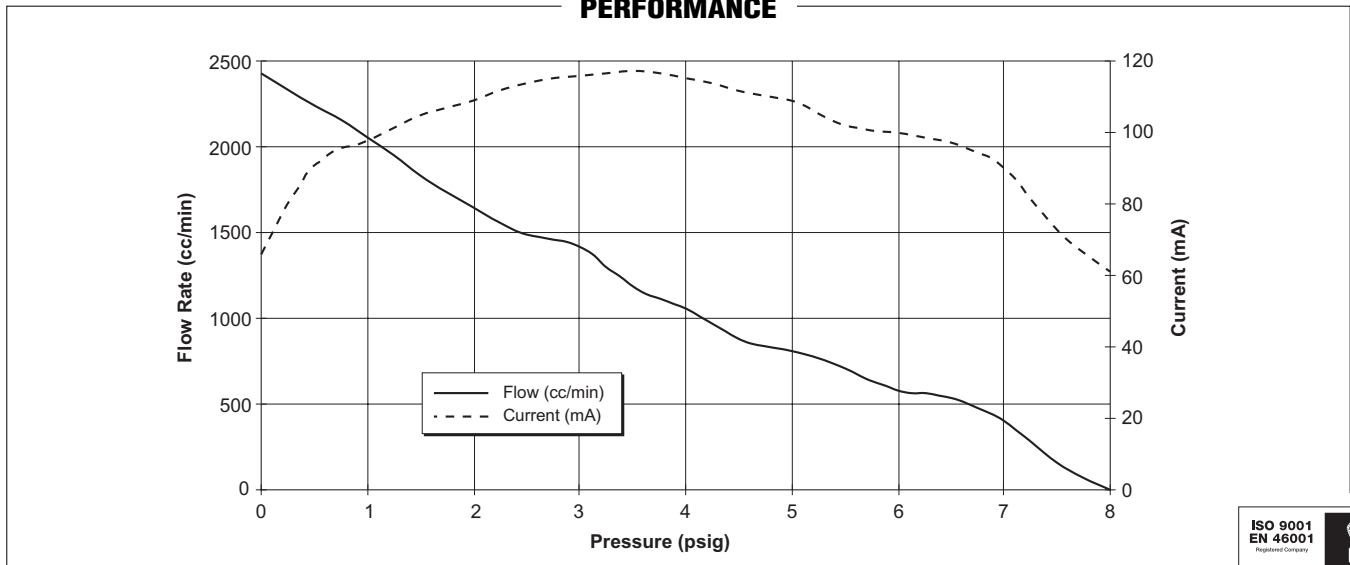
Series "A": Part No. 801514

Rated Voltage 12 volts DC
 Maximum Power Consumption 1.7 watts
 Free Flow @ Rated Voltage 2400 cc/min
 Maximum Dead Head Pressure 8.0 psig
 Diaphragm Material Silicone, Neoprene,
 Viton (convoluted)
 Motor Construction Coreless, ball bearings
 Operating Temperature Range 32°–122°F (0°–50°C)
 Weight 2.9 oz (82 g)

DIMENSIONS



PERFORMANCE



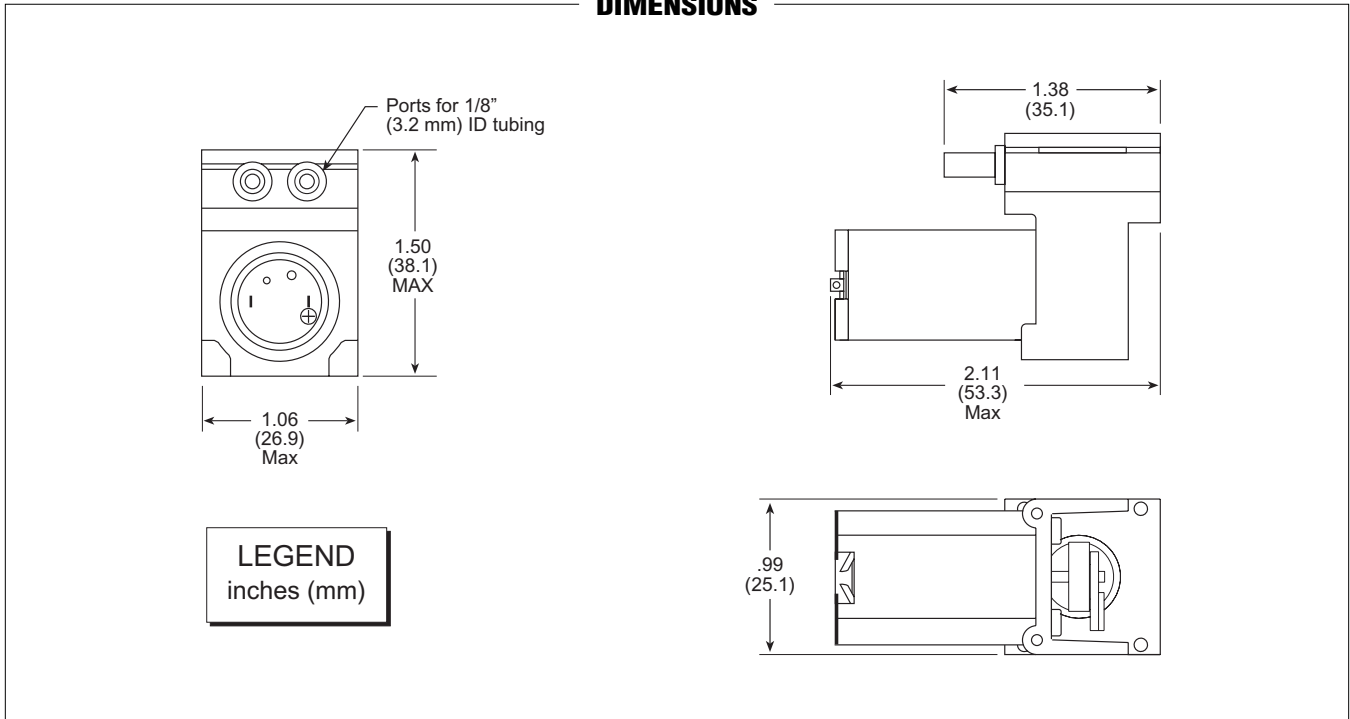
Performance curves are typical. Individual pump curves may vary.

Sensidyne,
 1000 112th Circle North, Suite 100 • St. Petersburg, FL 33716
 800-451-9444, ext 609 • 727-530-3602, ext 609
 Fax: 727-532-6930

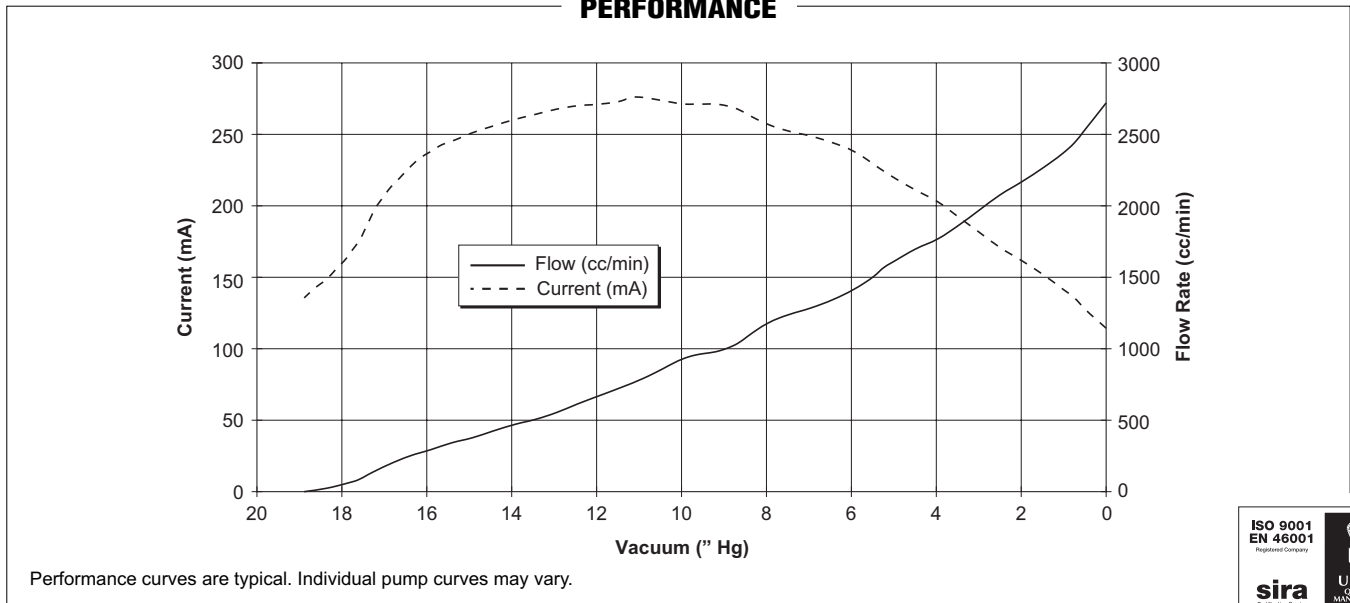
Series "A": Part No. 801523

Rated Voltage 6 volts DC
 Maximum Power Consumption 1.8 watts
 Free Flow @ Rated Voltage 2700 cc/min
 Maximum Dead Head Suction 19" Hg
 Diaphragm Material Silicone, Neoprene,
 Viton (convoluted)
 Motor Construction Coreless, ball bearings
 Operating Temperature Range 32°–122°F (0°–50°C)
 Weight 2.9 oz (82 g)

DIMENSIONS



PERFORMANCE

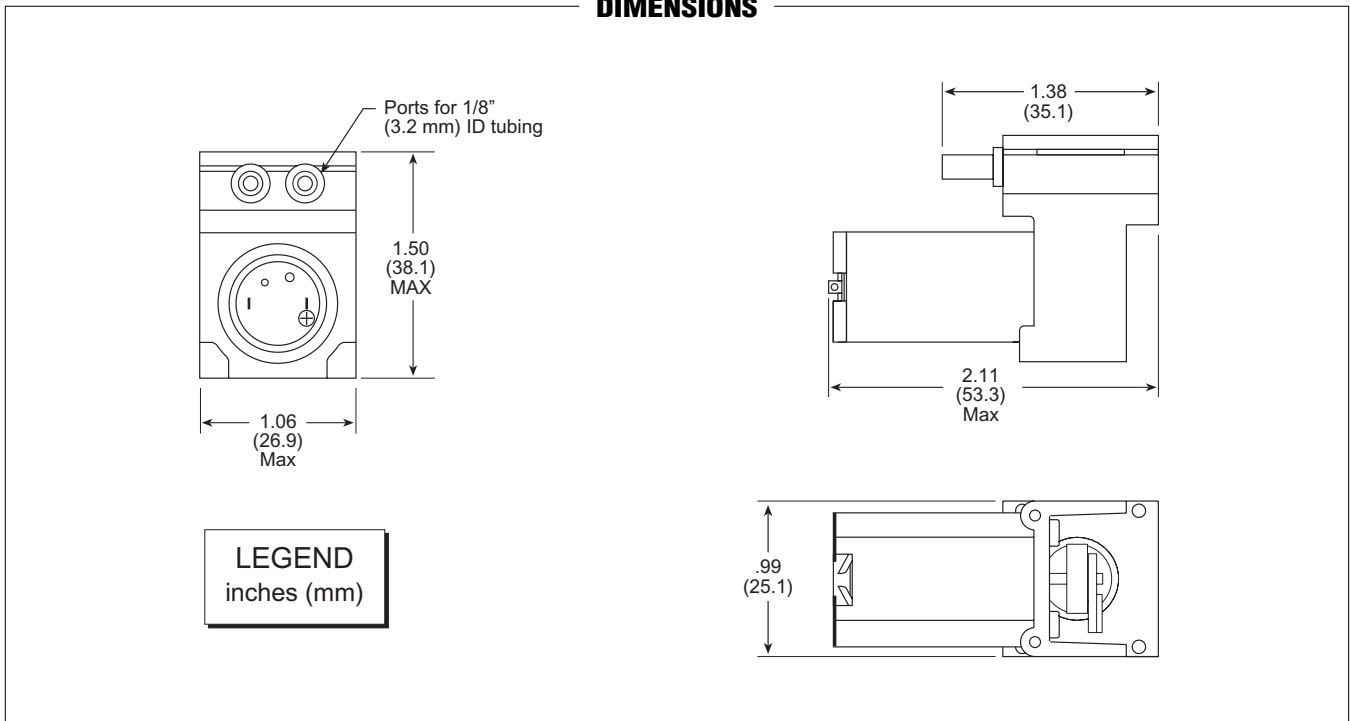


Sensidyne,
 1000 112th Circle North, Suite 100 • St. Petersburg, FL 33716
 800-451-9444, ext 609 • 727-530-3602, ext 609
 Fax: 727-532-6930

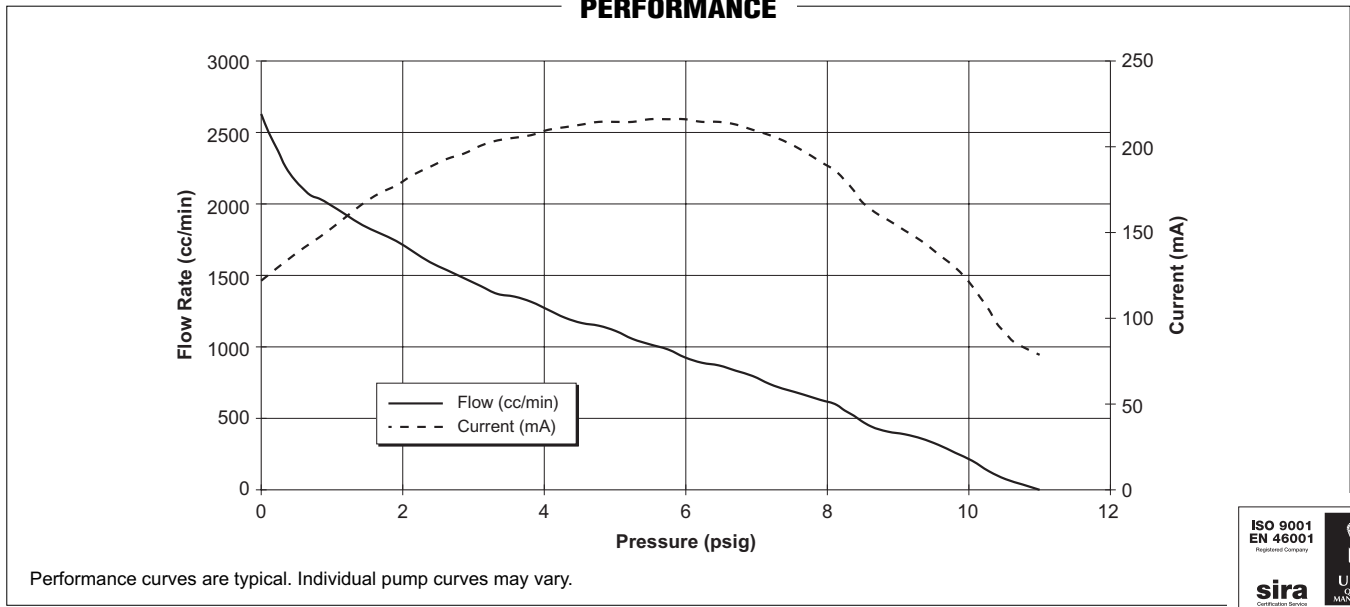
Series "A": Part No. 801522

Rated Voltage 6 volts DC
 Maximum Power Consumption 1.7 watts
 Free Flow @ Rated Voltage 2700 cc/min
 Maximum Dead Head Pressure 11 psig
 Diaphragm Material Silicone, Neoprene,
 Viton (convoluted)
 Motor Construction Coreless, ball bearings
 Operating Temperature Range 32°–122°F (0°–50°C)
 Weight 2.9 oz (82 g)

DIMENSIONS



PERFORMANCE

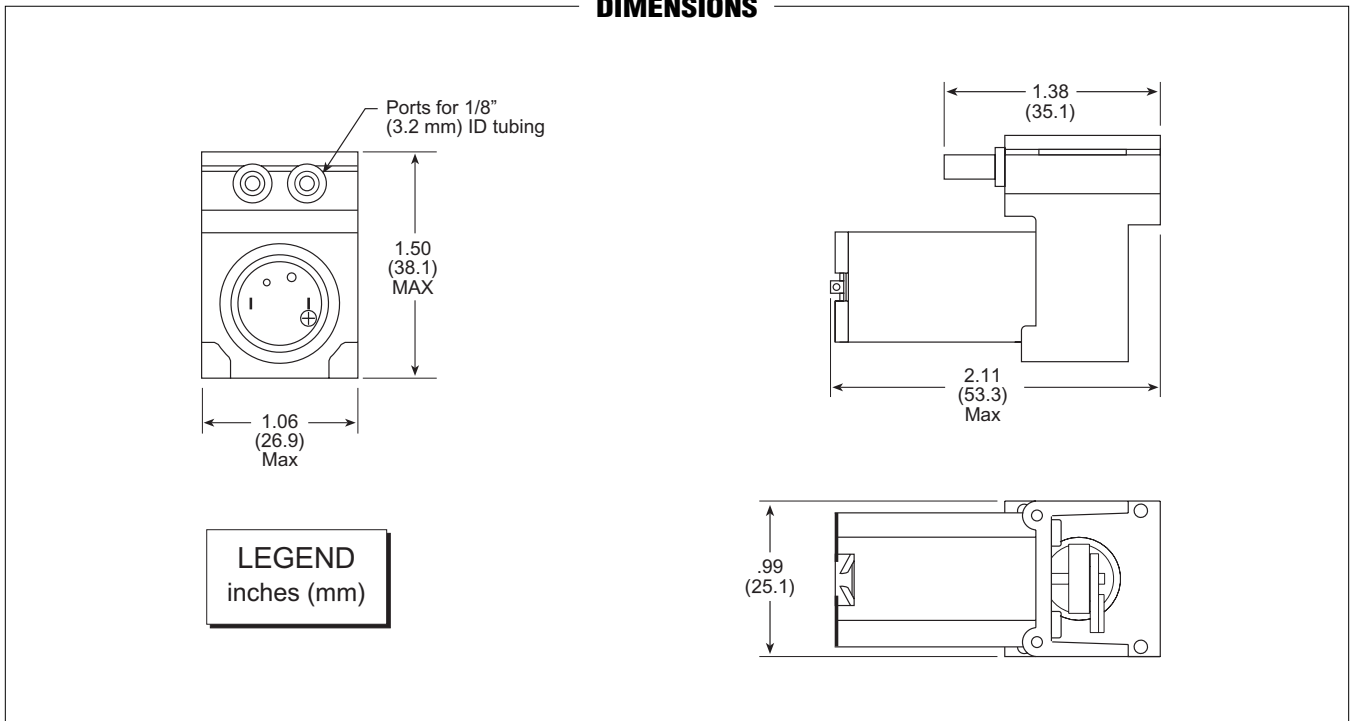


Sensidyne,
 1000 112th Circle North, Suite 100 • St. Petersburg, FL 33716
 800-451-9444, ext 609 • 727-530-3602, ext 609
 Fax: 727-532-6930

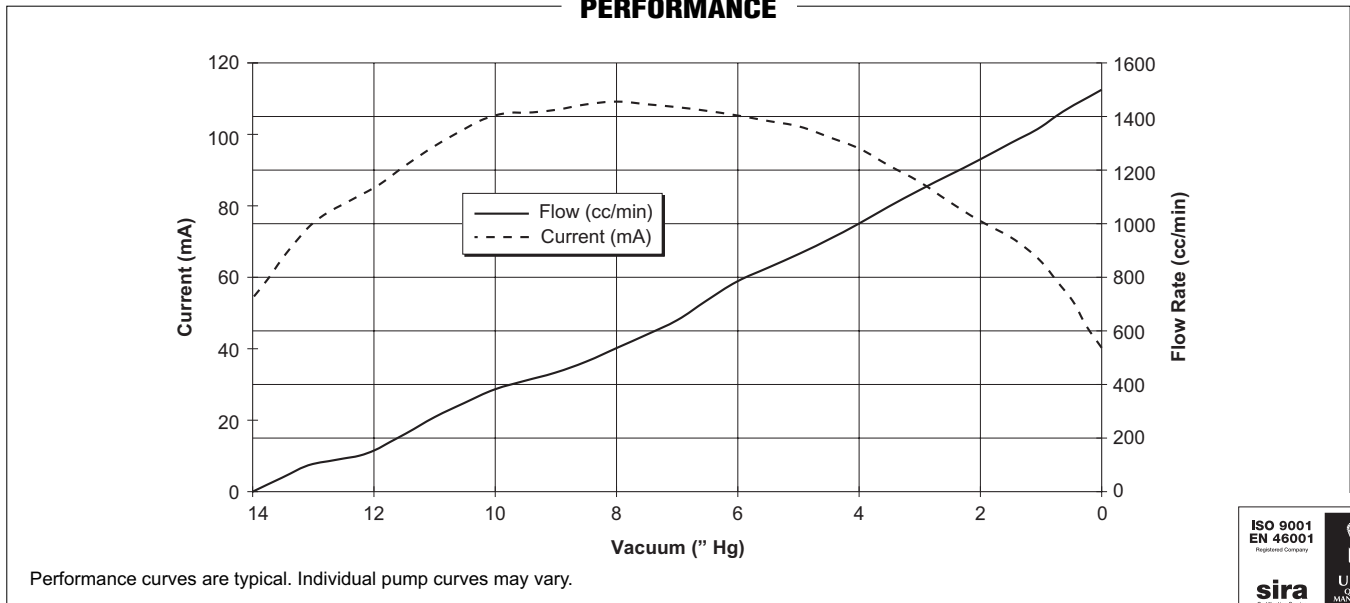
Series "A": Part No. 801521

Rated Voltage 6 volts DC
 Maximum Power Consumption..... 0.8 watts
 Free Flow @ Rated Voltage 1500 cc/min
 Maximum Dead Head Suction 14" Hg
 Diaphragm Material Silicone, Neoprene,
 Viton (convoluted)
 Motor Construction Coreless, ball bearings
 Operating Temperature Range 32°–122°F (0°–50°C)
 Weight 2.9 oz (82 g)

DIMENSIONS



PERFORMANCE

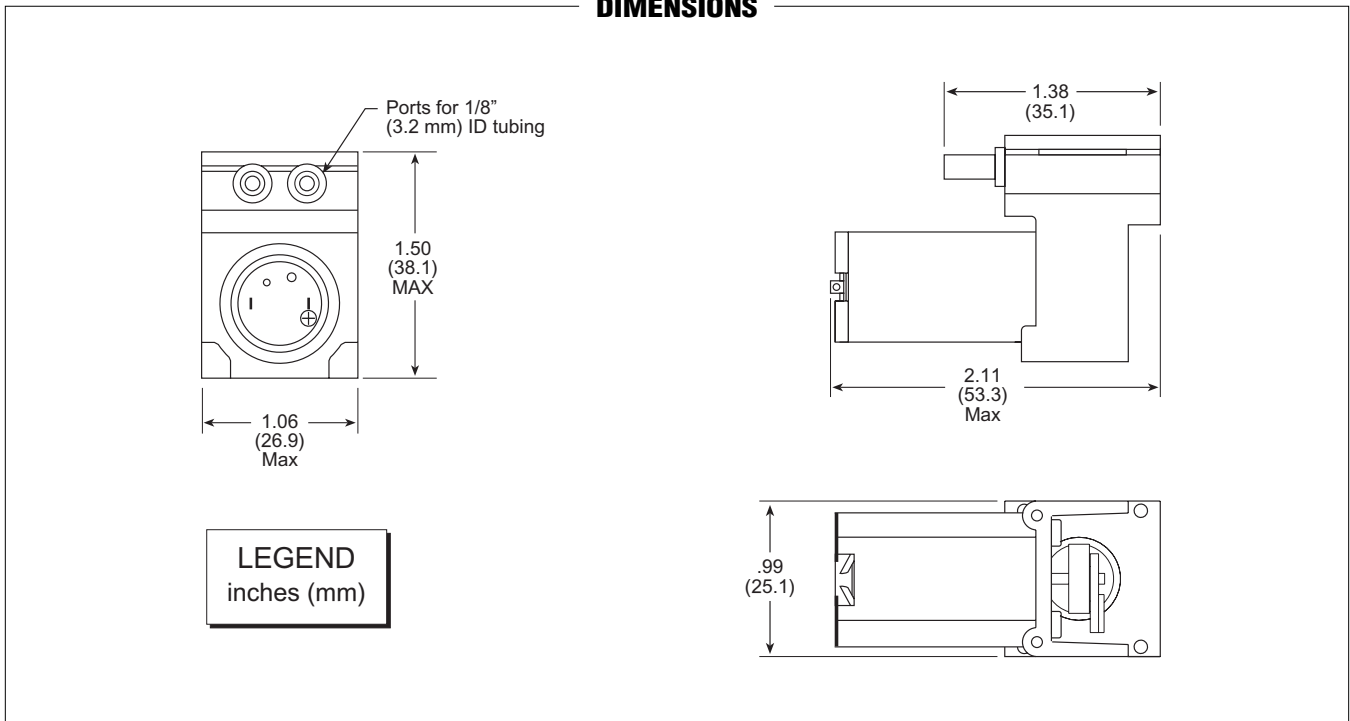


Sensidyne,
 1000 112th Circle North, Suite 100 • St. Petersburg, FL 33716
 800-451-9444, ext 609 • 727-530-3602, ext 609
 Fax: 727-532-6930

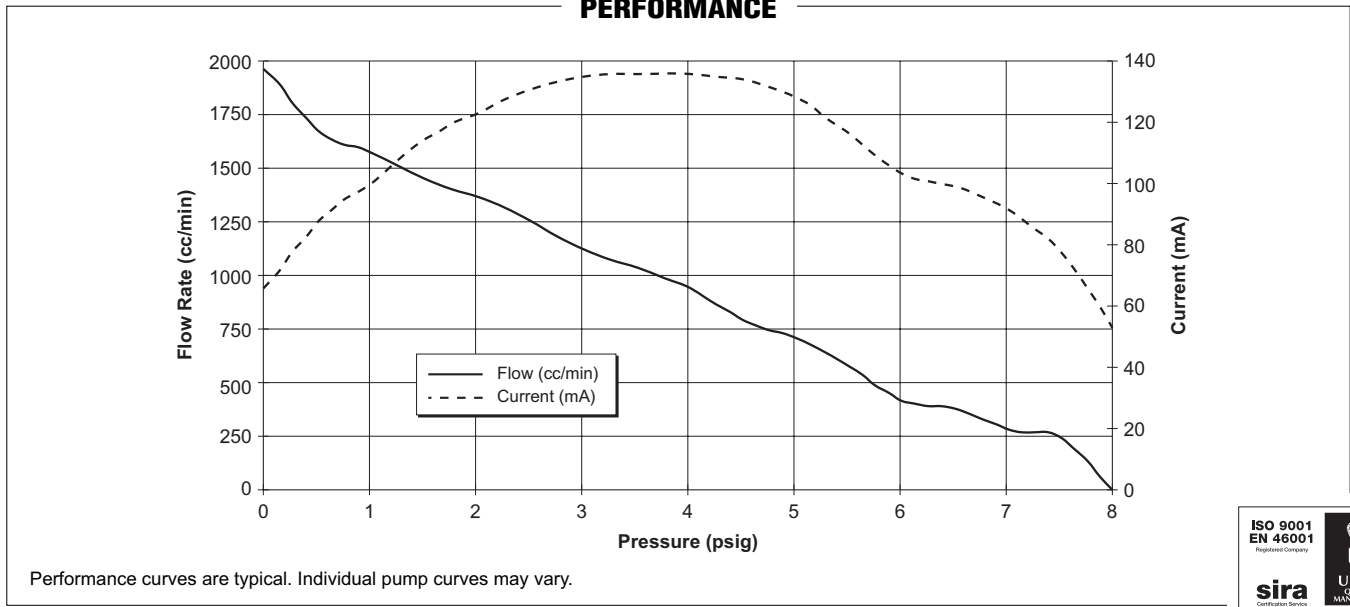
Series "A": Part No. 801520

Rated Voltage 6 volts DC
 Maximum Power Consumption 1.0 watts
 Free Flow @ Rated Voltage 1950 cc/min
 Maximum Dead Head Pressure 8.0 psig
 Diaphragm Material Silicone, Neoprene,
 Viton (convoluted)
 Motor Construction Coreless, ball bearings
 Operating Temperature Range 32°–122°F (0°–50°C)
 Weight 2.9 oz (82 g)

DIMENSIONS



PERFORMANCE

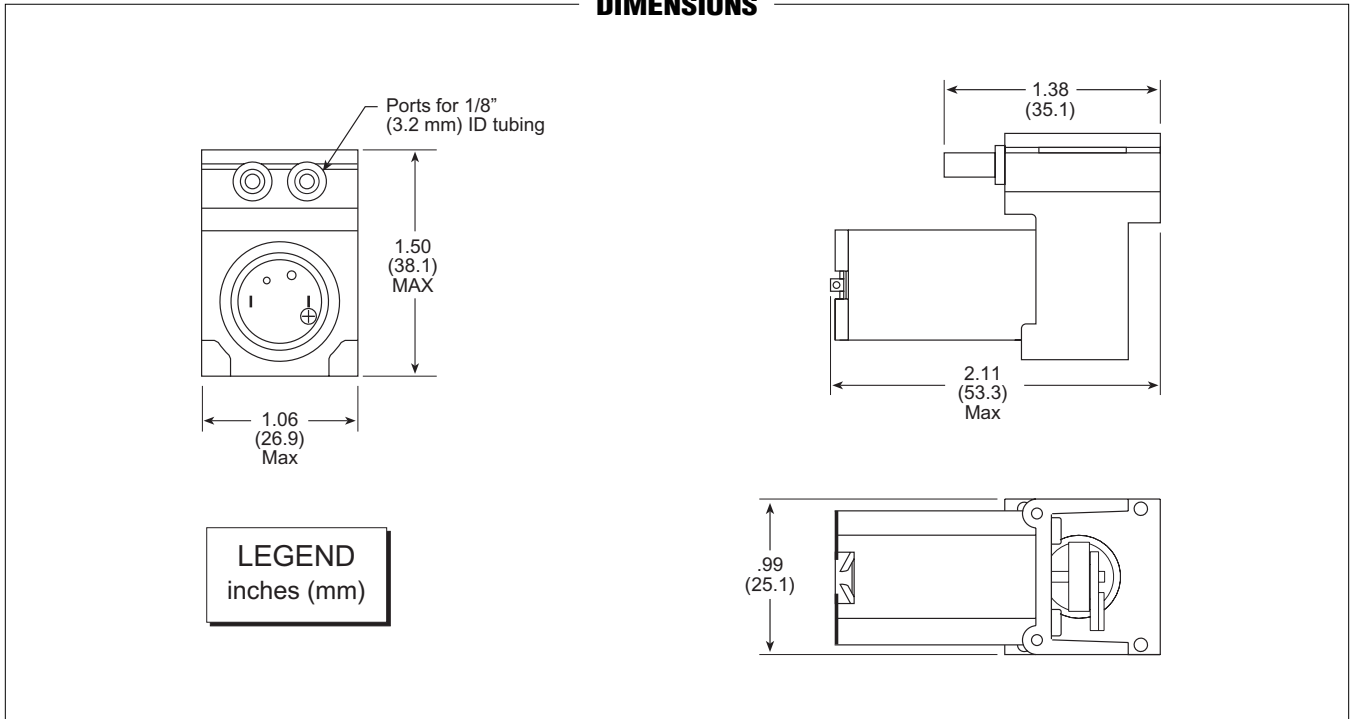


Sensidyne,
 1000 112th Circle North, Suite 100 • St. Petersburg, FL 33716
 800-451-9444, ext 609 • 727-530-3602, ext 609
 Fax: 727-532-6930

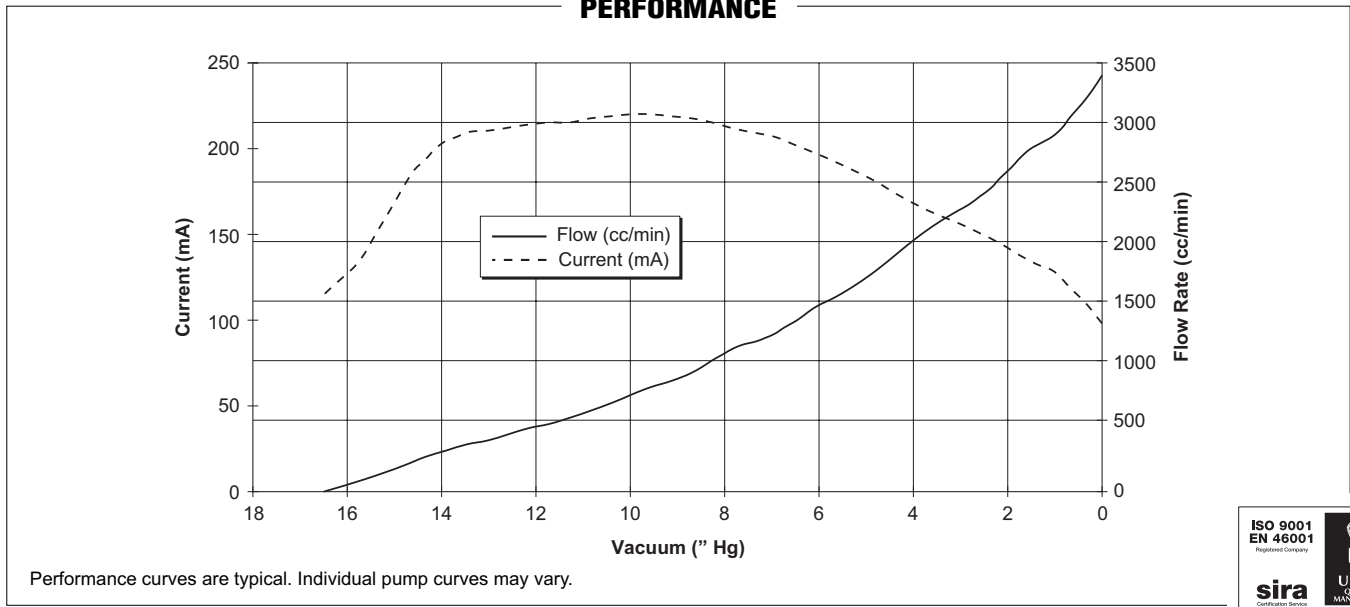
Series "A": Part No. 801517

Rated Voltage 12 volts DC
 Maximum Power Consumption 2.9 watts
 Free Flow @ Rated Voltage 3400 cc/min
 Maximum Dead Head Suction 16.5" Hg
 Diaphragm Material Silicone, Neoprene,
 Viton (convoluted)
 Motor Construction Coreless, ball bearings
 Operating Temperature Range 32°–122°F (0°–50°C)
 Weight 2.9 oz (82 g)

DIMENSIONS



PERFORMANCE

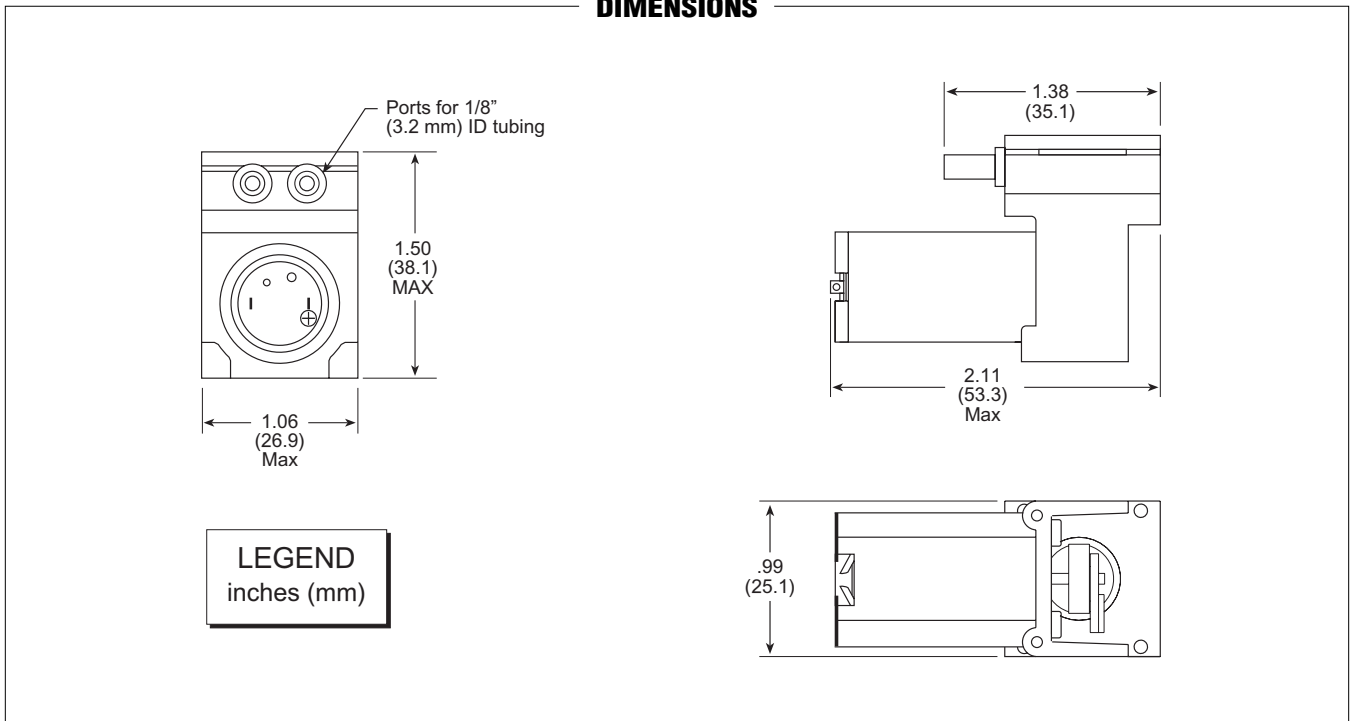


Sensidyne,
 1000 112th Circle North, Suite 100 • St. Petersburg, FL 33716
 800-451-9444, ext 609 • 727-530-3602, ext 609
 Fax: 727-532-6930

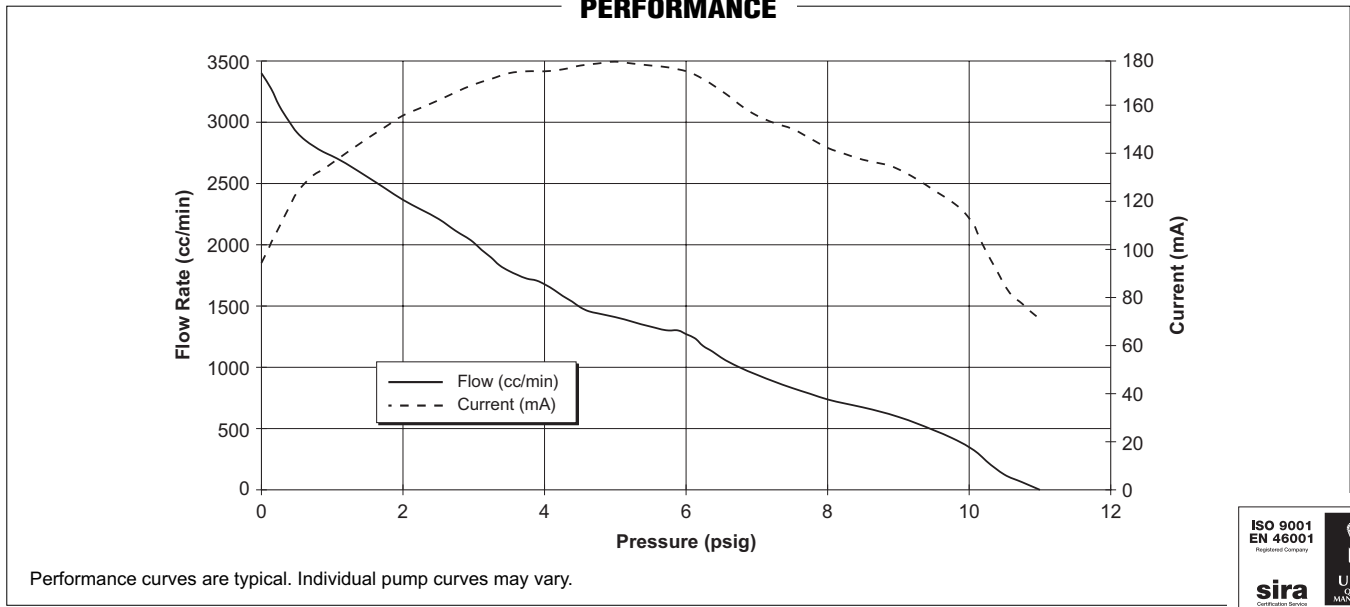
Series "A": Part No. 801516

Rated Voltage 12 volts DC
 Maximum Power Consumption 2.5 watts
 Free Flow @ Rated Voltage 3400 cc/min
 Maximum Dead Head Pressure 11 psig
 Diaphragm Material Silicone, Neoprene,
 Viton (convoluted)
 Motor Construction Coreless, ball bearings
 Operating Temperature Range 32°–122°F (0°–50°C)
 Weight 2.9 oz (82 g)

DIMENSIONS



PERFORMANCE

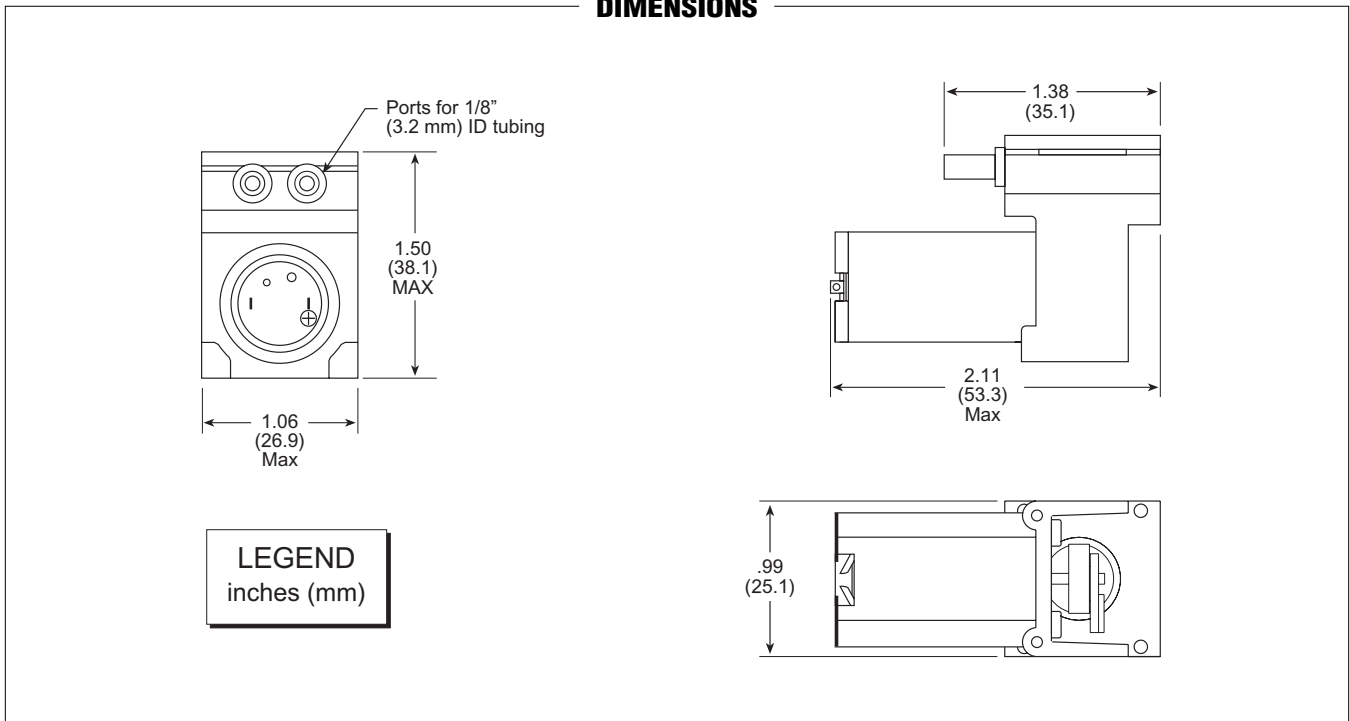


Sensidyne,
 1000 112th Circle North, Suite 100 • St. Petersburg, FL 33716
 800-451-9444, ext 609 • 727-530-3602, ext 609
 Fax: 727-532-6930

Series "A": Part No. 801515

Rated Voltage 12 volts DC
 Maximum Power Consumption..... 1.6 watts
 Free Flow @ Rated Voltage 2100 cc/min
 Maximum Dead Head Suction 14" Hg
 Diaphragm Material Silicone, Neoprene,
 Viton (convoluted)
 Motor Construction Coreless, ball bearings
 Operating Temperature Range 32°–122°F (0°–50°C)
 Weight 2.9 oz (82 g)

DIMENSIONS



PERFORMANCE

