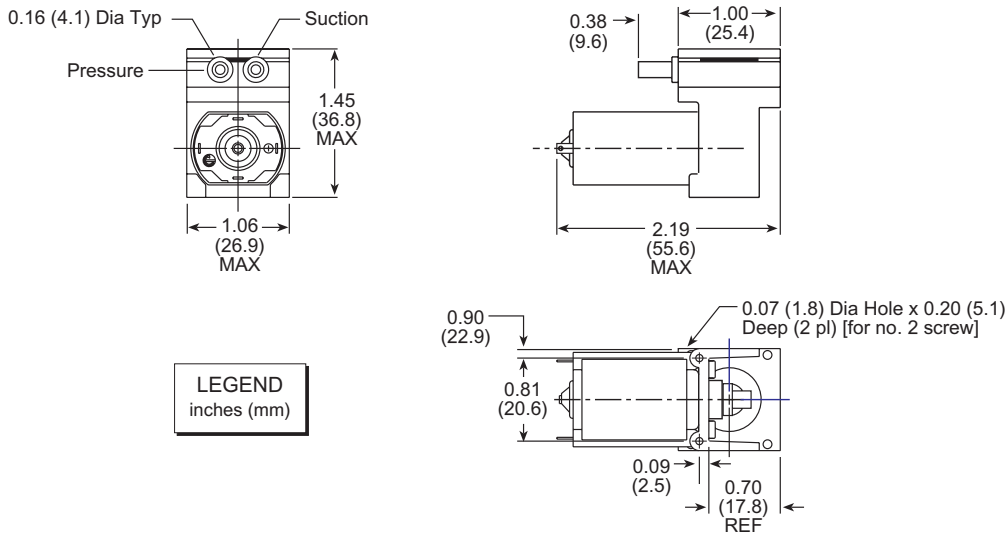


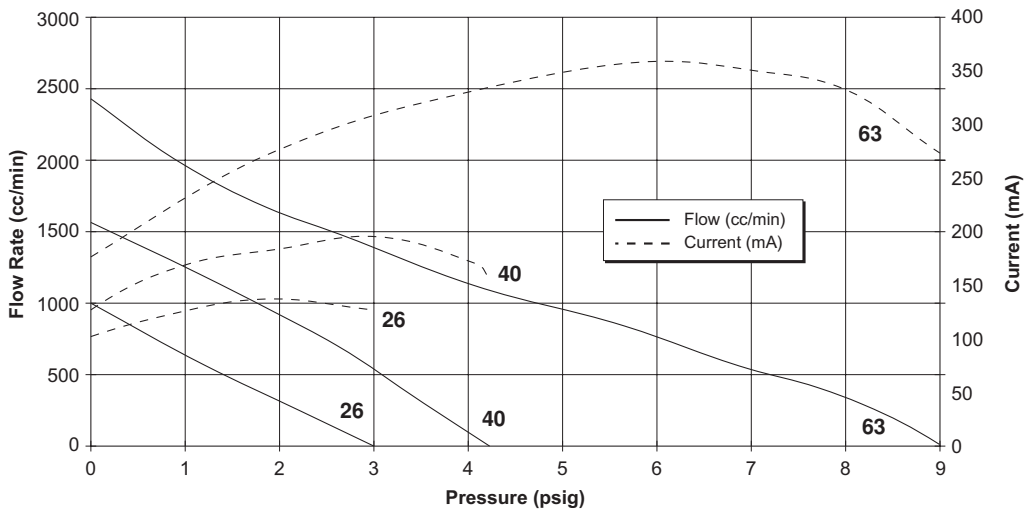
A Series Micro Air Pump: Part No. A060INSN (Pressure) Specifications

	Minimum Free Flow	Minimum Pressure @ Dead Head	Maximum Current @ Free Flow
Model 26	1060 cc/min	2.4 psig (165 mbar)	105 mA
Model 40	1560 cc/min	4.2 psig (290 mbar)	140 mA
Model 63	2425 cc/min	9.0 psig (620 mbar)	190 mA
Rated Voltage	6.0 volts DC		
Motor Construction	Iron Core		
Diaphragm Material	Neoprene (EPDM and Viton also available)		
Pump Body Material	Valox		
Operating Temperature Range	32°–122°F (0°–50°C)		
Weight	2.1 oz (60 grams)		
Size	3.4 cubic inches		
Options	Five Port Locations		

DIMENSIONS



PERFORMANCE



Performance curves are typical. Individual pump curves may vary.

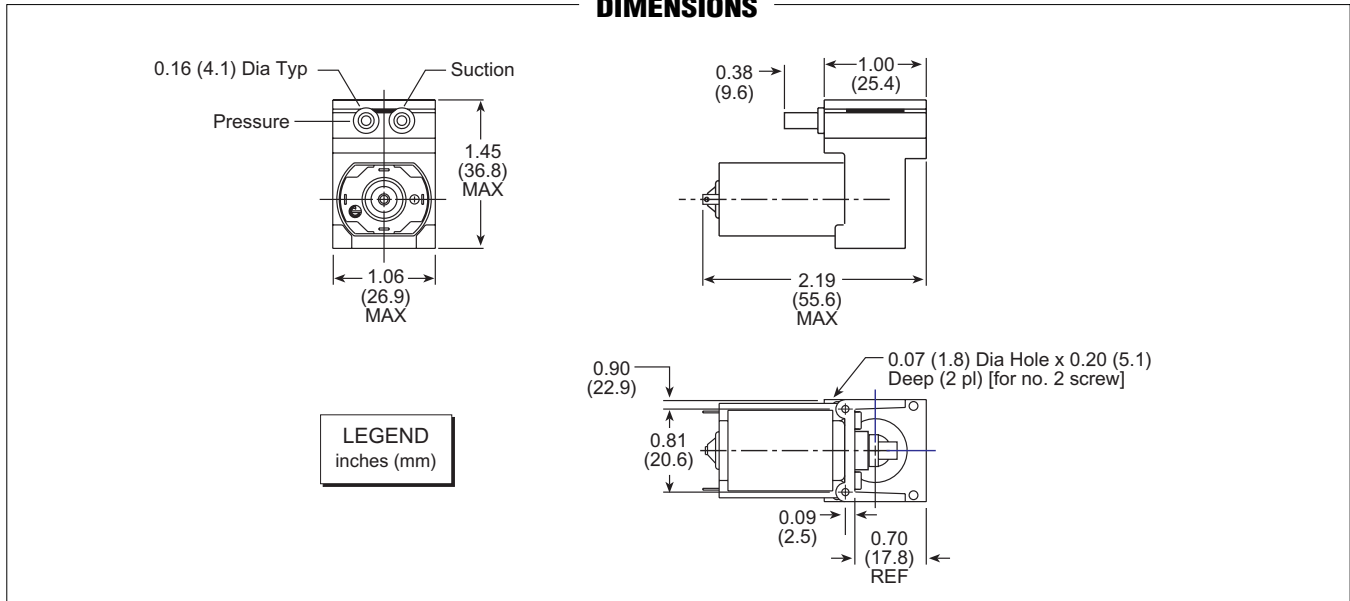


Certificate No. 970084

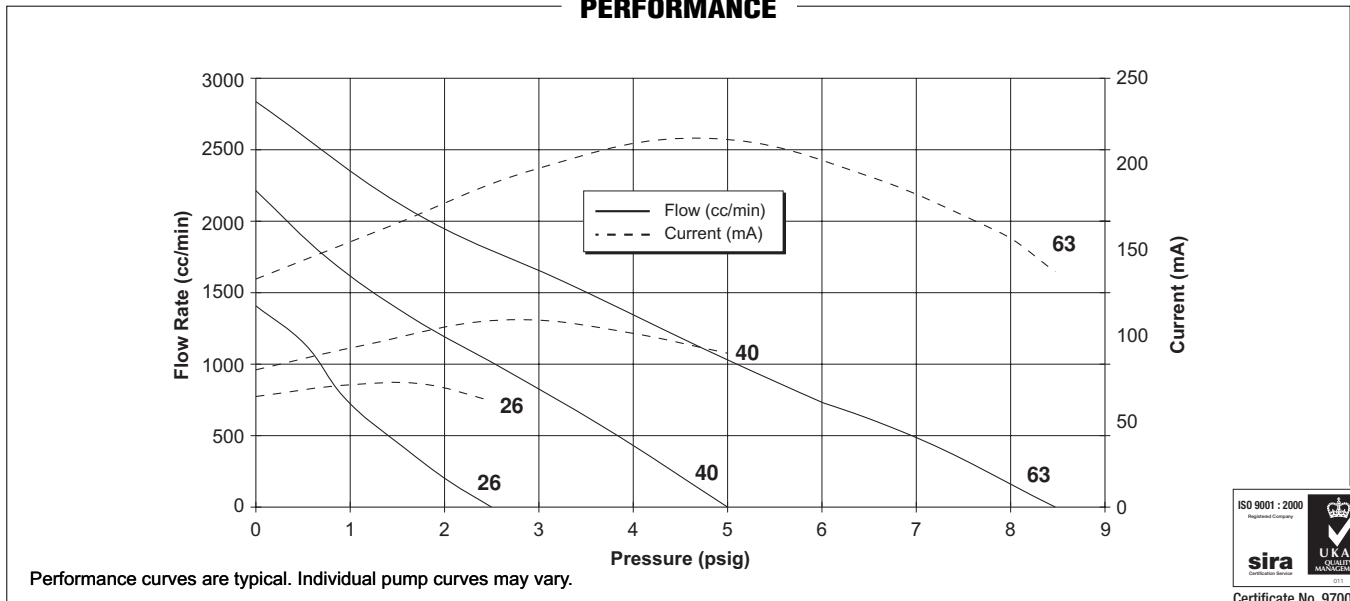
A Series Micro Air Pump: Part No. A120INSN (Pressure) Specifications

	Minimum Free Flow	Minimum Pressure @ Dead Head	Maximum Current @ Free Flow
Model 26	1430 cc/min	2.5 psig (172 mbar)	65 mA
Model 40	2220 cc/min	5.0 psig (345 mbar)	81 mA
Model 63	2835 cc/min	8.5 psig (586 mbar)	135 mA
Rated Voltage	12.0 volts DC		
Motor Construction	Iron Core		
Diaphragm Material	Neoprene (EPDM and Viton also available)		
Pump Body Material	Valox		
Operating Temperature Range	32°–122°F (0°–50°C)		
Weight	2.1 oz (60 grams)		
Size	3.4 cubic inches		
Options	Five Port Locations		

DIMENSIONS



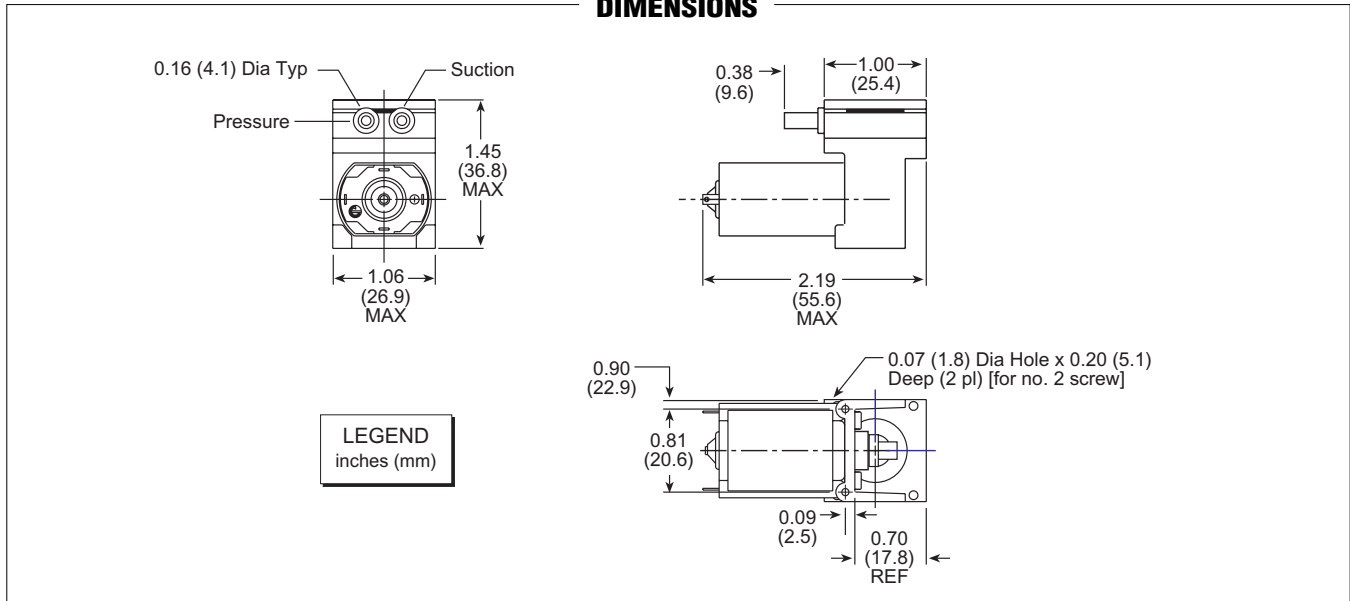
PERFORMANCE



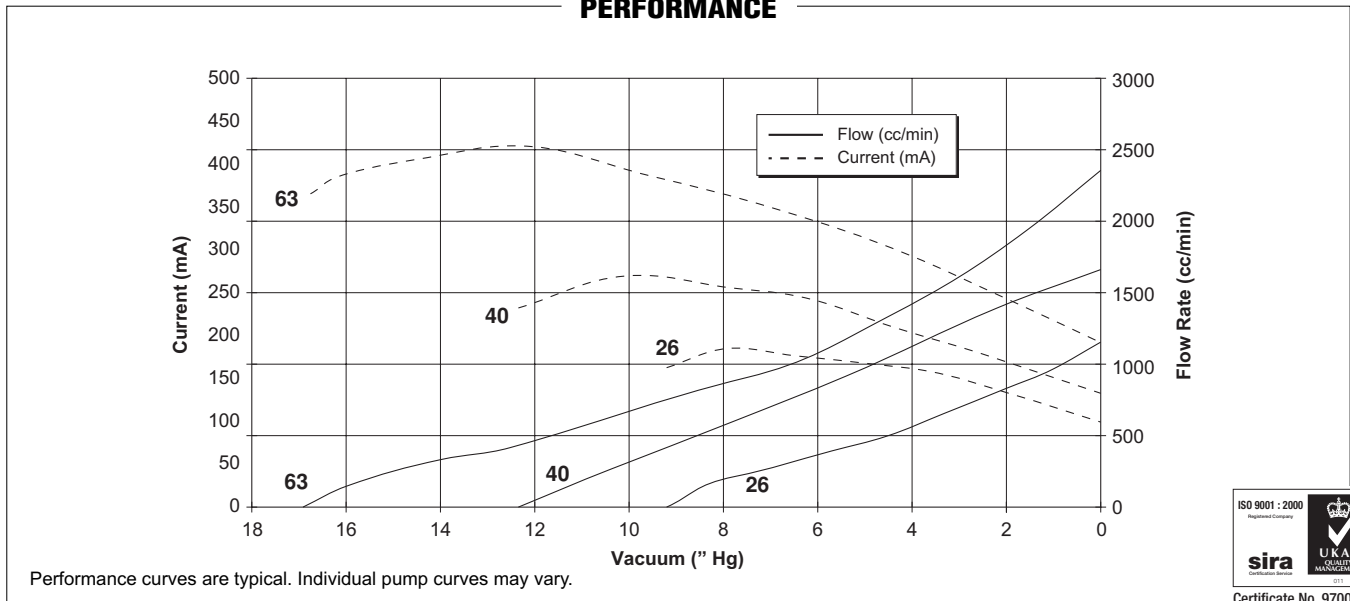
A Series Micro Air Pump: Part No. A060INSN (Vacuum) Specifications

	Minimum Free Flow	Minimum Vacuum @ Dead Head	Maximum Current @ Free Flow
Model 26	1160 cc/min	8.2 " Hg (277 mbar)	110 mA
Model 40	1725 cc/min	12.5 " Hg (422 mbar)	145 mA
Model 63	2420 cc/min	17.0 " Hg (574 mbar)	205 mA
Rated Voltage	6.0 volts DC		
Motor Construction	Iron Core		
Diaphragm Material	Neoprene (EPDM and Viton also available)		
Pump Body Material	Valox		
Operating Temperature Range	32°–122°F (0°–50°C)		
Weight	2.1 oz (60 grams)		
Size	3.4 cubic inches		
Options	Five Port Locations		

DIMENSIONS



PERFORMANCE



Performance curves are typical. Individual pump curves may vary.

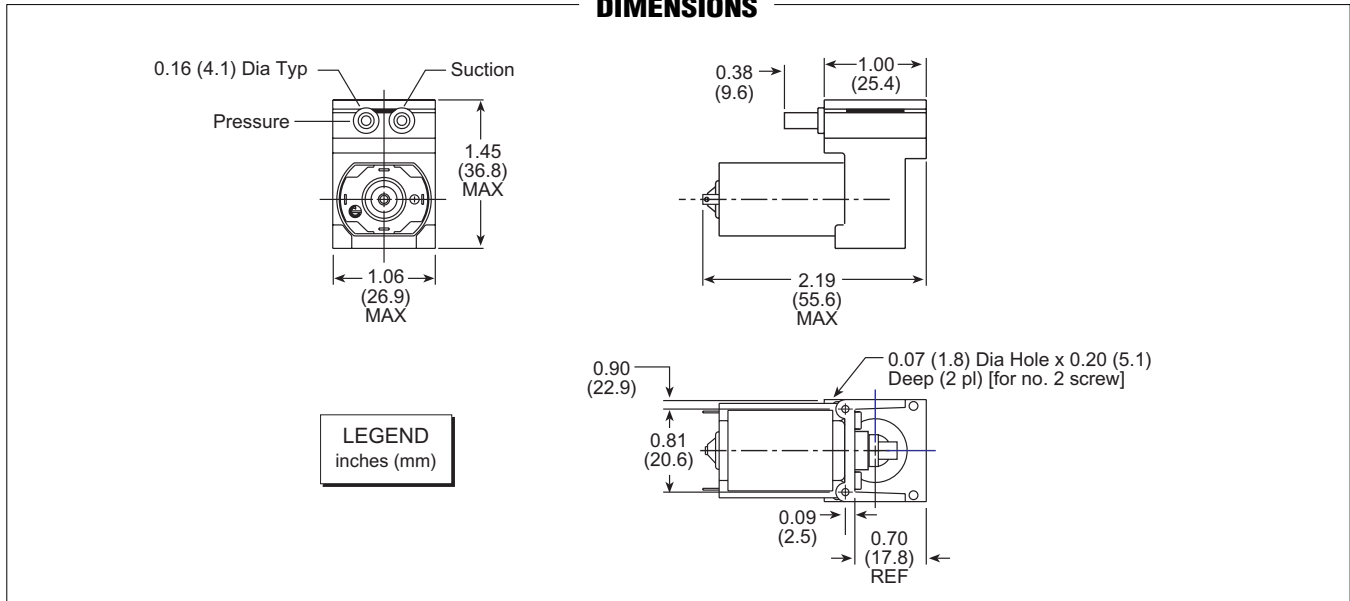


Certificate No. 970084

A Series Micro Air Pump: Part No. A120INSN (Vacuum) Specifications

	Minimum Free Flow	Minimum Vacuum @ Dead Head	Maximum Current @ Free Flow
Model 26	1500 cc/min	8.0 " Hg (270 mbar)	70 mA
Model 40	2200 cc/min	12.8 " Hg (432 mbar)	90 mA
Model 63	3240 cc/min	18.0 " Hg (608 mbar)	145 mA
Rated Voltage	12.0 volts DC		
Motor Construction	Iron Core		
Diaphragm Material	Neoprene (EPDM and Viton also available)		
Pump Body Material	Valox		
Operating Temperature Range	32°–122°F (0°–50°C)		
Weight	2.1 oz (60 grams)		
Size	3.4 cubic inches		
Options	Five Port Locations		

DIMENSIONS



PERFORMANCE

