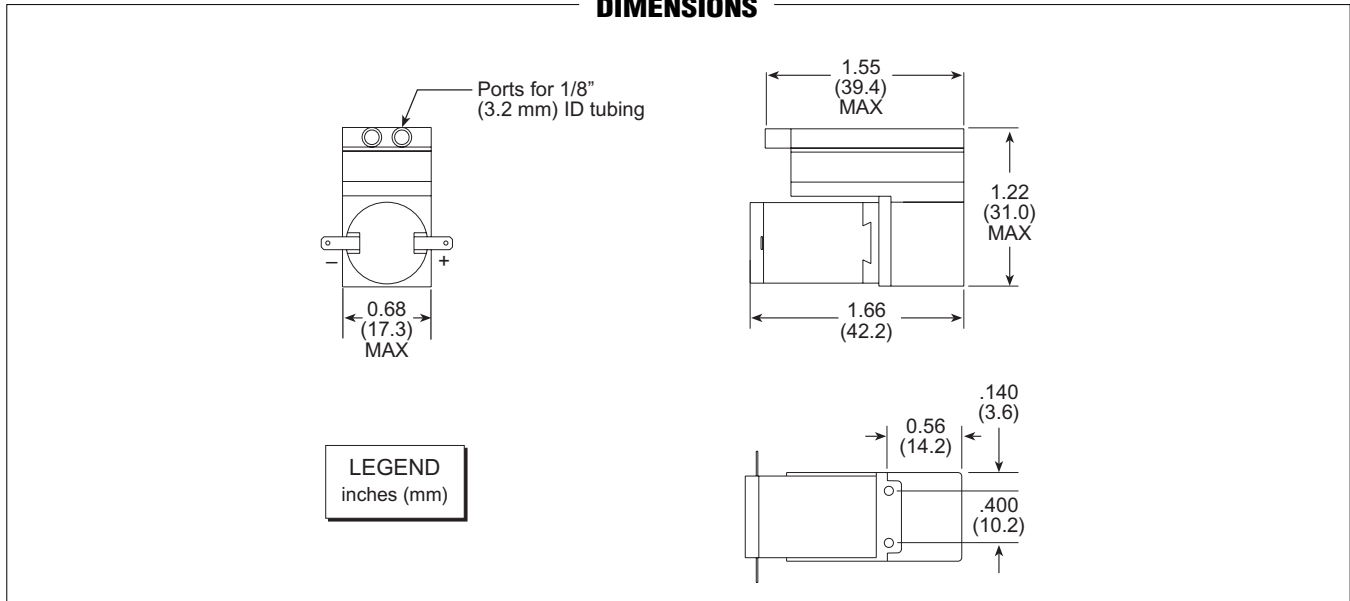


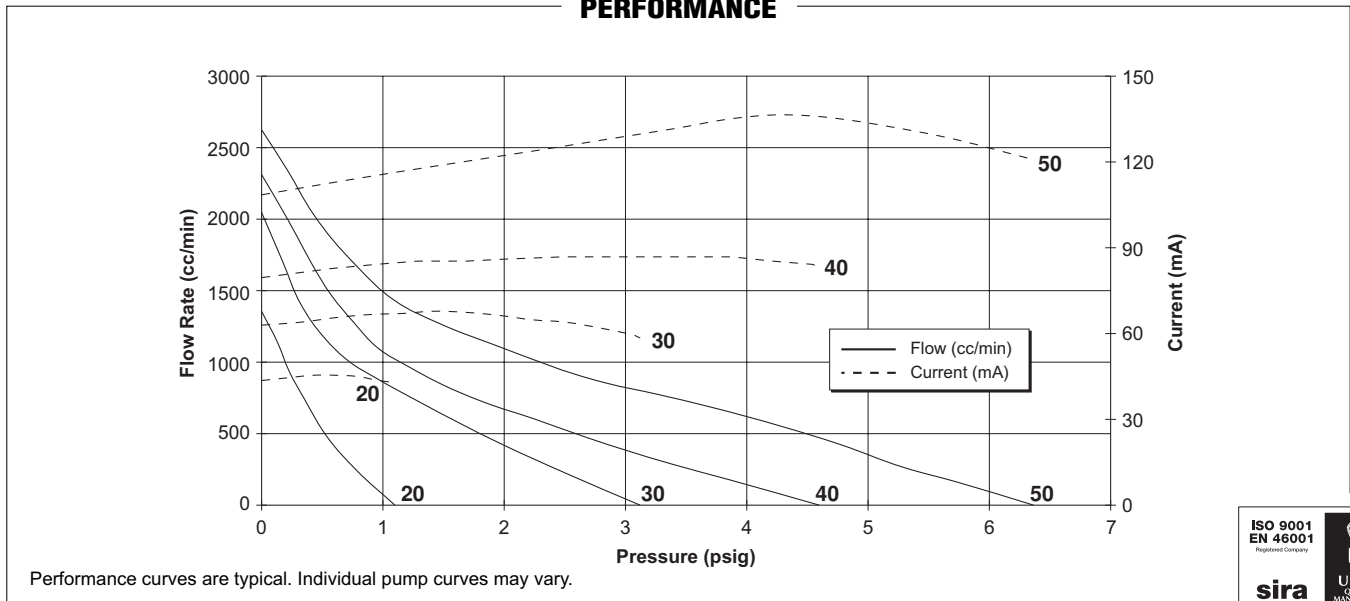
**AA Series Micro Air Pump: Part No. AA120CNSN (Pressure) Specifications**

	<b>Minimum Free Flow</b>	<b>Minimum Pressure @ Dead Head</b>	<b>Maximum Current @ Free Flow</b>
<b>Model 20</b> .....	1385 cc/min .....	1.1 psig (76 mbar) .....	55 mA
<b>Model 30</b> .....	2015 cc/min .....	3.1 psig (214 mbar) .....	80 mA
<b>Model 40</b> .....	2340 cc/min .....	4.6 psig (317 mbar) .....	105 mA
<b>Model 50</b> .....	2660 cc/min .....	6.3 psig (434 mbar) .....	120 mA
<b>Rated Voltage</b> .....	12.0 volts DC		
<b>Motor Construction</b> .....	Ironless Rotor		
<b>Diaphragm Material</b> .....	Neoprene (EPDM and Viton also available)		
<b>Pump Body Material</b> .....	Ryton		
<b>Operating Temperature Range</b> .....	32°–122°F (0°–50°C)		
<b>Weight</b> .....	1.2 oz (35 grams)		
<b>Size</b> .....	1.4 cubic inches		
<b>Options</b> .....	Counterweight (for vibration reduction); Four Port Locations; Ports for 3/32" (2.4 mm) I.D. Tubing.		

**DIMENSIONS**



**PERFORMANCE**



Performance curves are typical. Individual pump curves may vary.