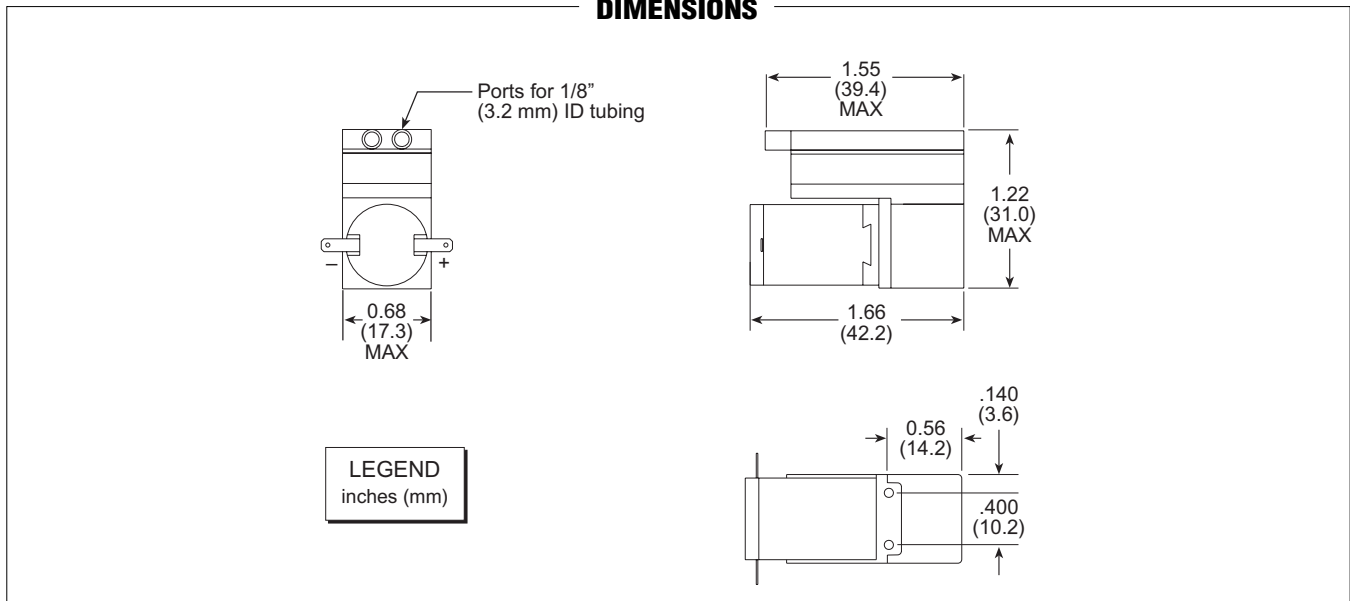


AA Series Micro Air Pump: Part No. AA120CNSN (Vacuum) Specifications

	Minimum Free Flow	Minimum Vacuum @ Dead Head	Maximum Current @ Free Flow
Model 20	1345 cc/min	3.2 " Hg (108 mbar)	55 mA
Model 30	1720 cc/min	6.6 " Hg (223 mbar)	80 mA
Model 40	2170 cc/min	9.6 " Hg (324 mbar)	105 mA
Model 50	2530 cc/min	12.6 " Hg (425 mbar)	120 mA
Rated Voltage	12.0 volts DC		
Motor Construction	Ironless Rotor		
Diaphragm Material	Neoprene (EPDM and Viton also available)		
Pump Body Material	Ryton		
Operating Temperature Range	32°–122°F (0°–50°C)		
Weight	1.2 oz (35 grams)		
Size	1.4 cubic inches		
Options	Counterweight (for vibration reduction); Four Port Locations; Ports for 3/32" (2.4 mm) I.D. Tubing.		

DIMENSIONS



PERFORMANCE

