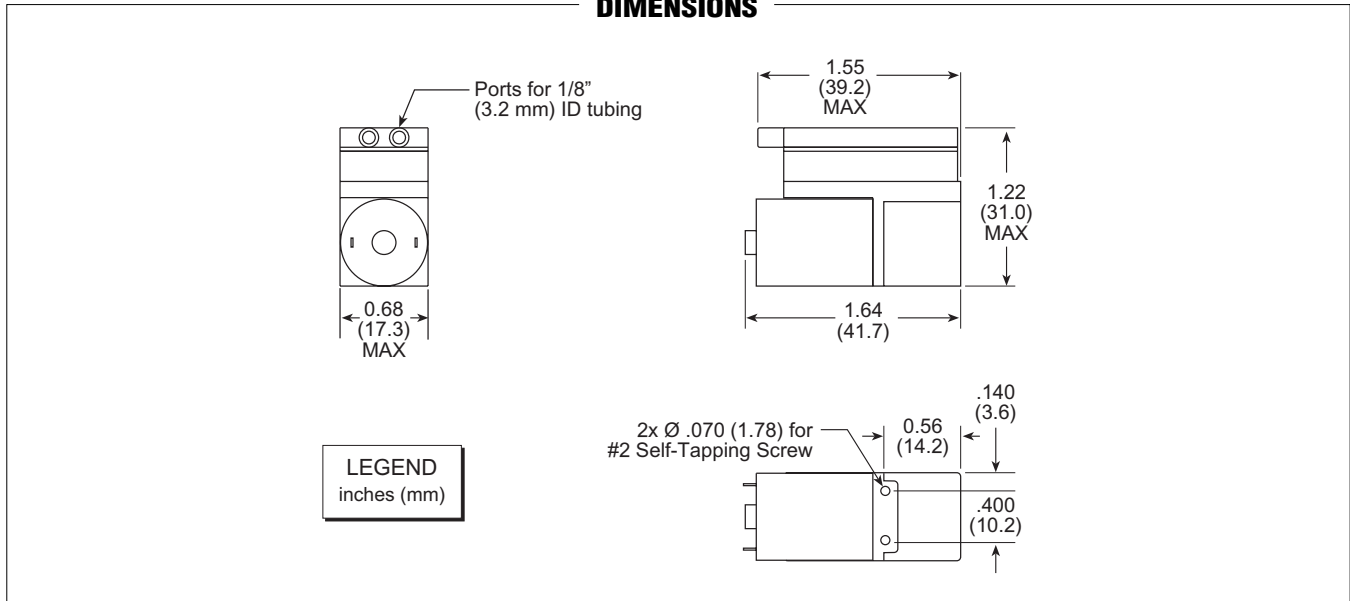


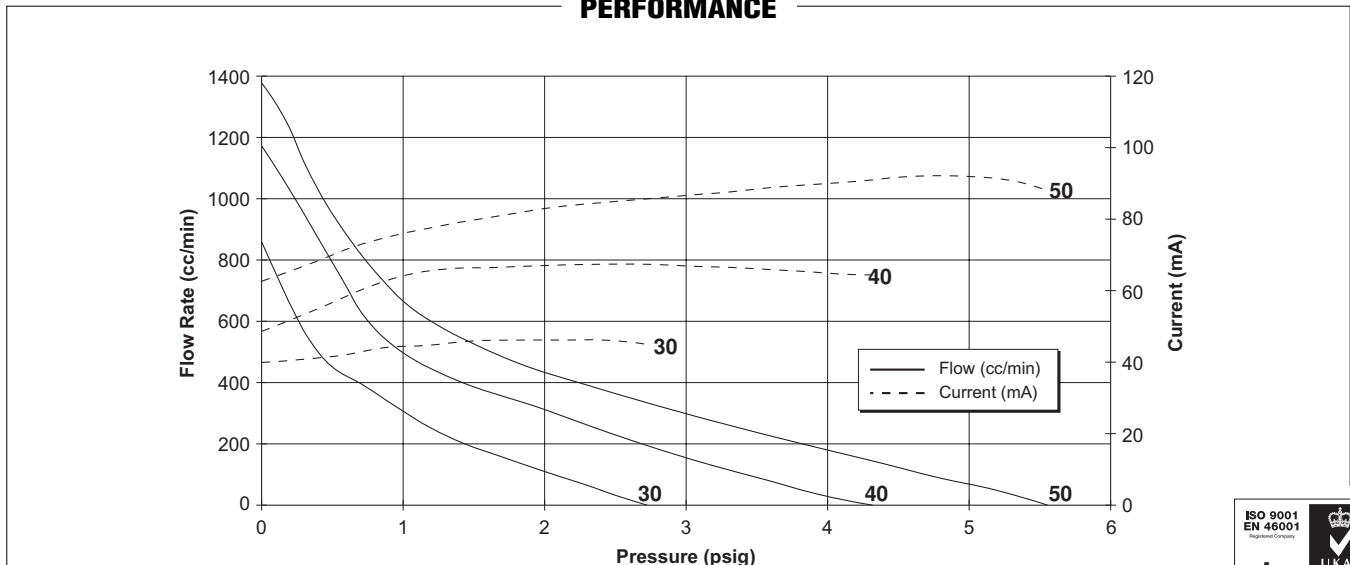
AA Series Micro Air Pump: Part No. AA120INSN (Pressure) Specifications

	Minimum Free Flow	Minimum Pressure @ Dead Head	Maximum Current @ Free Flow
Model 30	850 cc/min	2.7 psig (186 mbar)	50 mA
Model 40	1165 cc/min	4.2 psig (289 mbar)	75 mA
Model 50	1360 cc/min	5.4 psig (372 mbar)	100 mA
Rated Voltage	12.0 volts DC		
Motor Construction	Iron Core		
Diaphragm Material	Neoprene (EPDM and Viton also available)		
Pump Body Material	Ryton		
Operating Temperature Range	32°–122°F (0°–50°C)		
Weight	1.2 oz (35 grams)		
Size	1.4 cubic inches		
Options	Counterweight (for vibration reduction); Four Port Locations; Ports for 3/32" (2.4 mm) I.D. Tubing.		

DIMENSIONS



PERFORMANCE



Performance curves are typical. Individual pump curves may vary.

