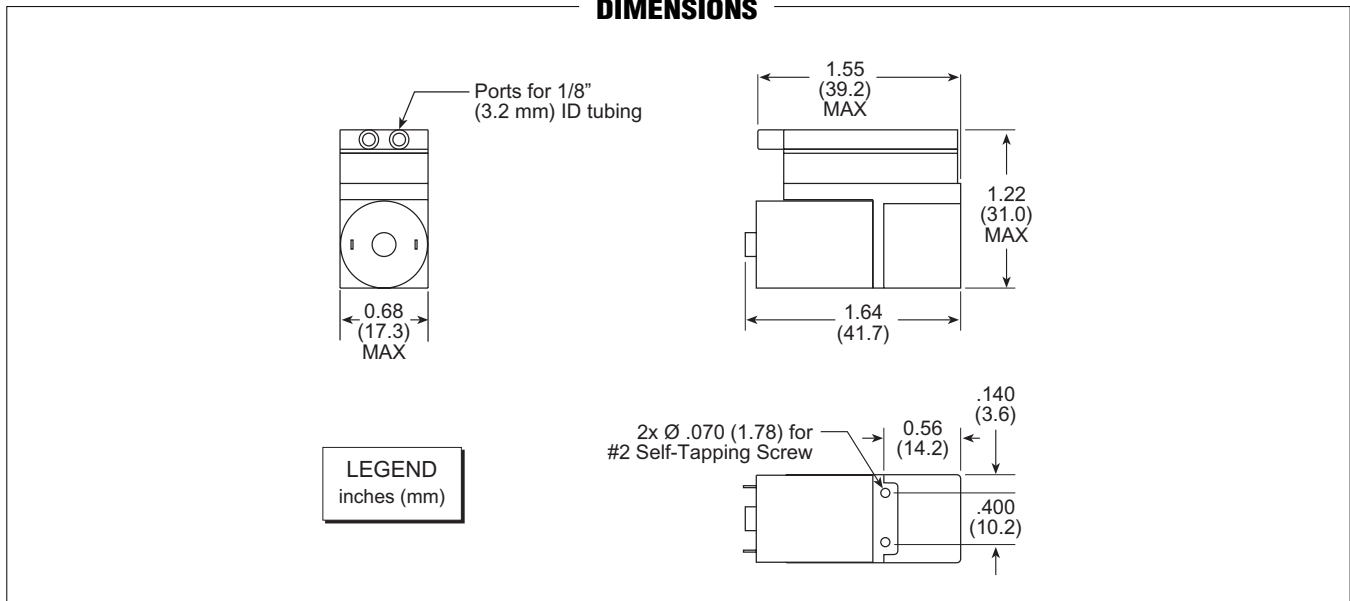


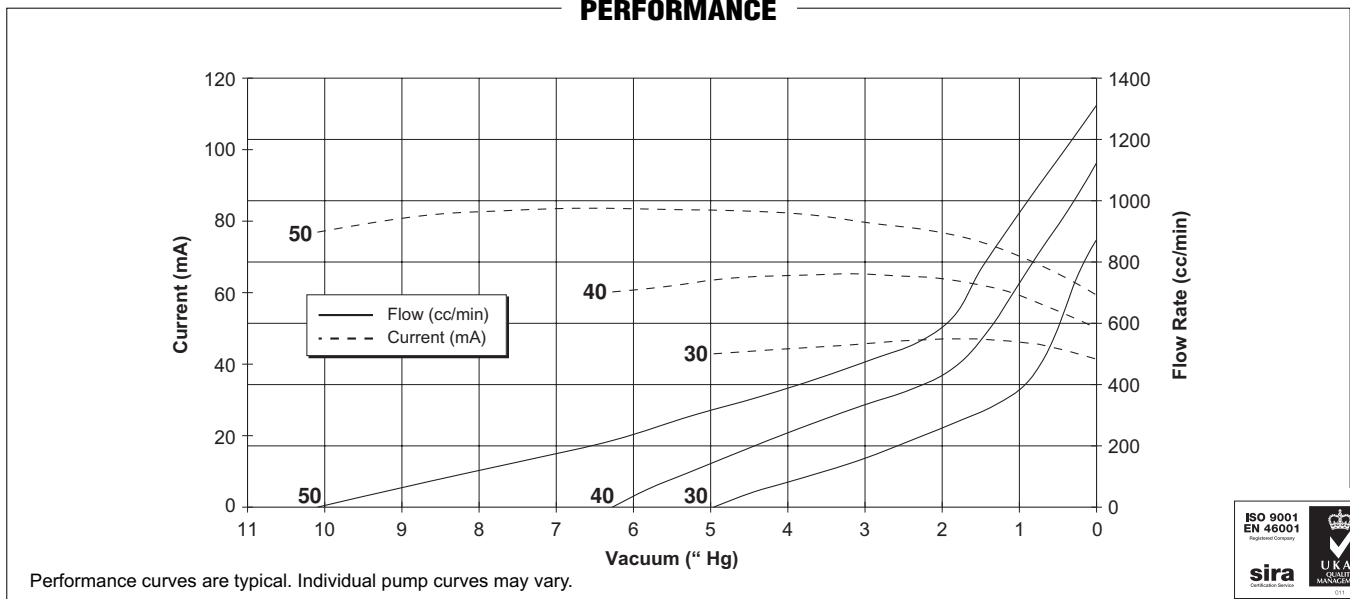
AA Series Micro Air Pump: Part No. AA120INSN (Vacuum) Specifications

	Minimum Free Flow	Minimum Vacuum @ Dead Head	Maximum Current @ Free Flow
Model 30	875 cc/min	5.0 " Hg (169 mbar)	50 mA
Model 40	1135 cc/min	6.2 " Hg (209 mbar)	75 mA
Model 50	1325 cc/min	10.1 " Hg (341 mbar)	100 mA
Rated Voltage	12.0 volts DC		
Motor Construction	Iron Core		
Diaphragm Material	Neoprene (EPDM and Viton also available)		
Pump Body Material	Ryton		
Operating Temperature Range	32°–122°F (0°–50°C)		
Weight	1.2 oz (35 grams)		
Size	1.4 cubic inches		
Options	Counterweight (for vibration reduction); Four Port Locations; Ports for 3/32" (2.4 mm) I.D. Tubing.		

DIMENSIONS



PERFORMANCE



Performance curves are typical. Individual pump curves may vary.

