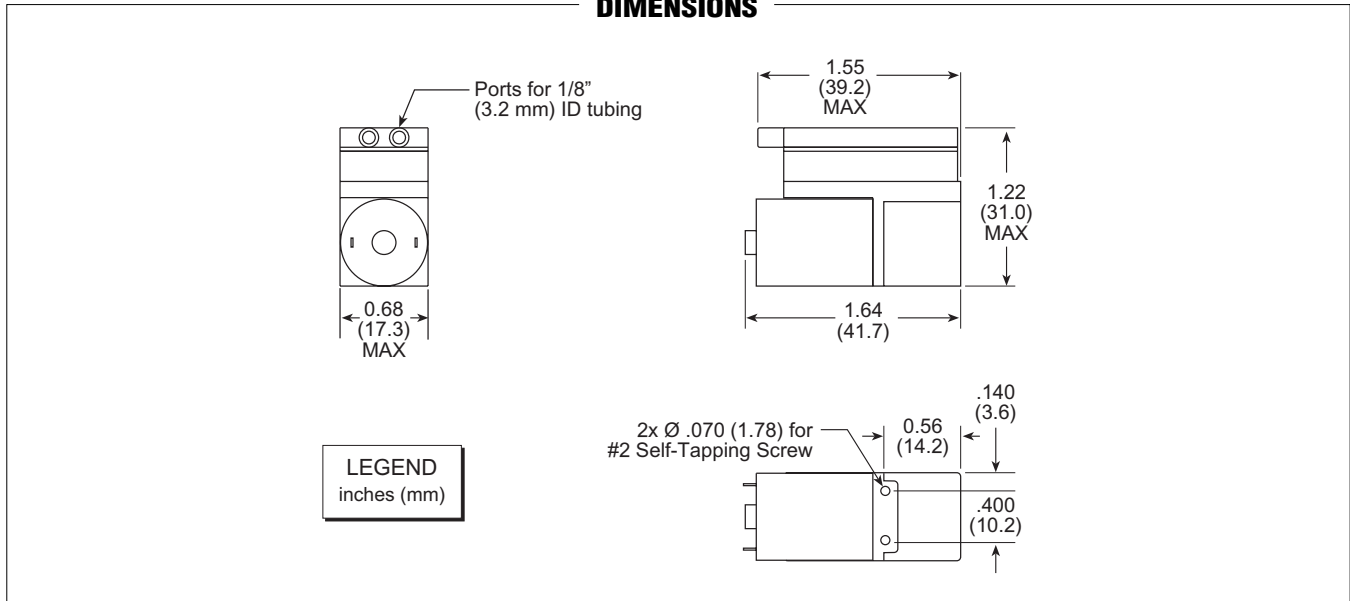


AA Series Micro Air Pump: Part No. AA045INSN (Pressure) Specifications

	Minimum Free Flow	Minimum Pressure @ Dead Head	Maximum Current @ Free Flow
Model 30	1700 cc/min	3.2 psig (221 mbar)	185 mA
Model 40	2035 cc/min	4.6 psig (317 mbar)	280 mA
Model 50	2300 cc/min	7.7 psig (531 mbar)	335 mA
Rated Voltage	4.5 volts DC		
Motor Construction	Iron Core		
Diaphragm Material	Neoprene (EPDM and Viton also available)		
Pump Body Material	Ryton		
Operating Temperature Range	32°–122°F (0°–50°C)		
Weight	1.2 oz (35 grams)		
Size	1.4 cubic inches		
Options	Counterweight (for vibration reduction); Four Port Locations; Ports for 3/32" (2.4 mm) I.D. Tubing.		

DIMENSIONS



PERFORMANCE

