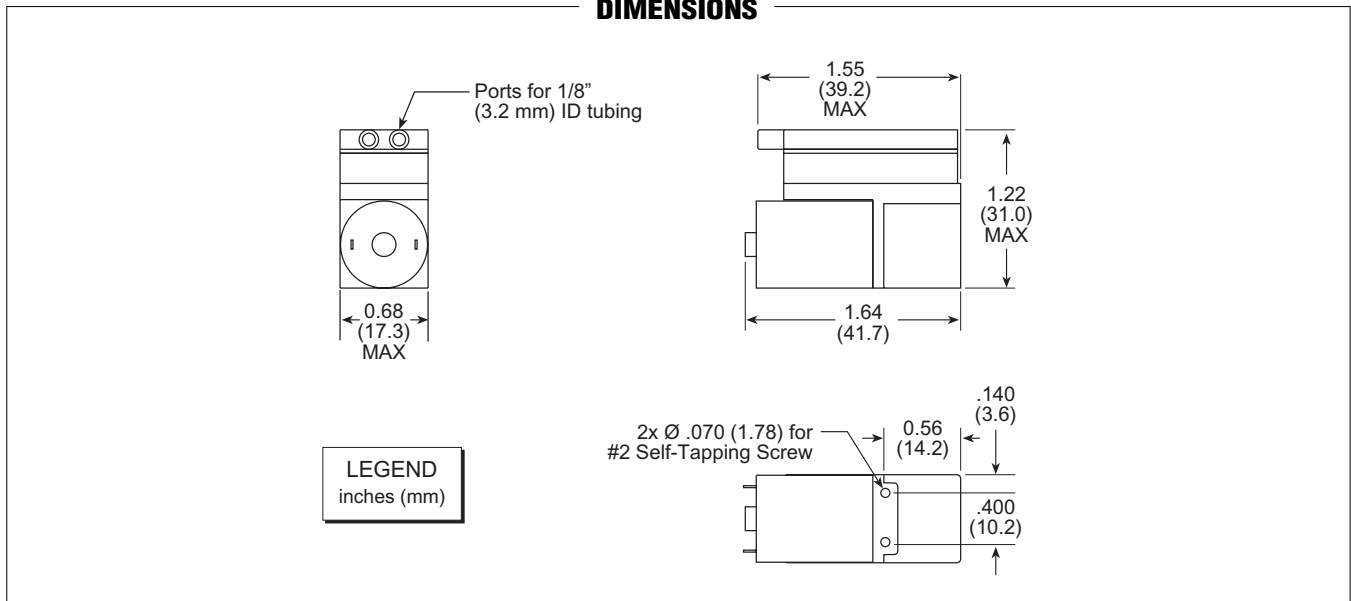


**AA Series Micro Air Pump: Part No. AA045INSN (Vacuum) Specifications**

	<b>Minimum Free Flow</b>	<b>Minimum Vacuum @ Dead Head</b>	<b>Maximum Current @ Free Flow</b>
<b>Model 30</b> .....	1565 cc/min .....	6.1 " Hg (206 mbar) .....	185 mA
<b>Model 40</b> .....	1875 cc/min .....	8.6 " Hg (290 mbar) .....	280 mA
<b>Model 50</b> .....	2175 cc/min .....	11.6 " Hg (392 mbar) .....	335 mA
<b>Rated Voltage</b> .....	4.5 volts DC		
<b>Motor Construction</b> .....	Iron Core		
<b>Diaphragm Material</b> .....	Neoprene (EPDM and Viton also available)		
<b>Pump Body Material</b> .....	Ryton		
<b>Operating Temperature Range</b> .....	32°–122°F (0°–50°C)		
<b>Weight</b> .....	1.2 oz (35 grams)		
<b>Size</b> .....	1.4 cubic inches		
<b>Options</b> .....	Counterweight (for vibration reduction); Four Port Locations; Ports for 3/32" (2.4 mm) I.D. Tubing.		

**DIMENSIONS**



**PERFORMANCE**

