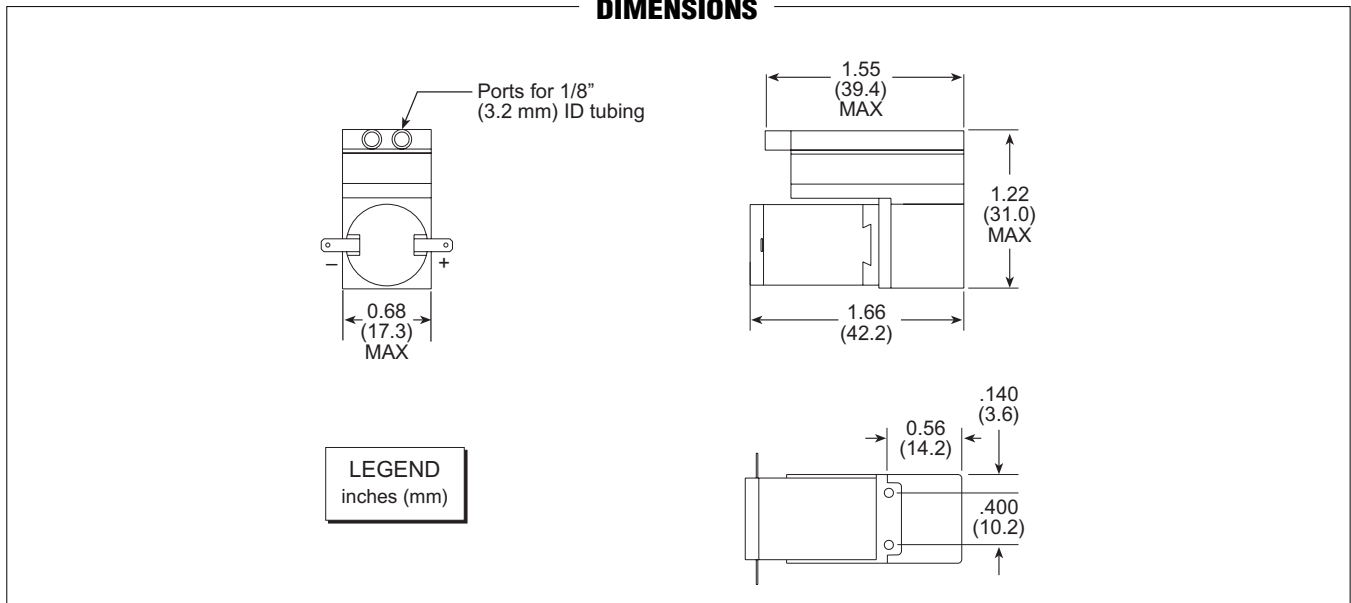


AA Series Micro Air Pump: Part No. AA060CNSN (Pressure) Specifications

	Minimum Free Flow	Minimum Pressure @ Dead Head	Maximum Current @ Free Flow
Model 20	1075 cc/min	1.8 psig (124 mbar)	80 mA
Model 30	1530 cc/min	3.0 psig (207 mbar)	100 mA
Model 40	1885 cc/min	4.3 psig (296 mbar)	140 mA
Model 50	2160 cc/min	7.7 psig (531 mbar)	165 mA
Rated Voltage	6.0 volts DC		
Motor Construction	Ironless Rotor		
Diaphragm Material	Neoprene (EPDM and Viton also available)		
Pump Body Material	Ryton		
Operating Temperature Range	32°–122°F (0°–50°C)		
Weight	1.2 oz (35 grams)		
Size	1.4 cubic inches		
Options	Counterweight (for vibration reduction); Four Port Locations; Ports for 3/32" (2.4 mm) I.D. Tubing.		

DIMENSIONS



PERFORMANCE

