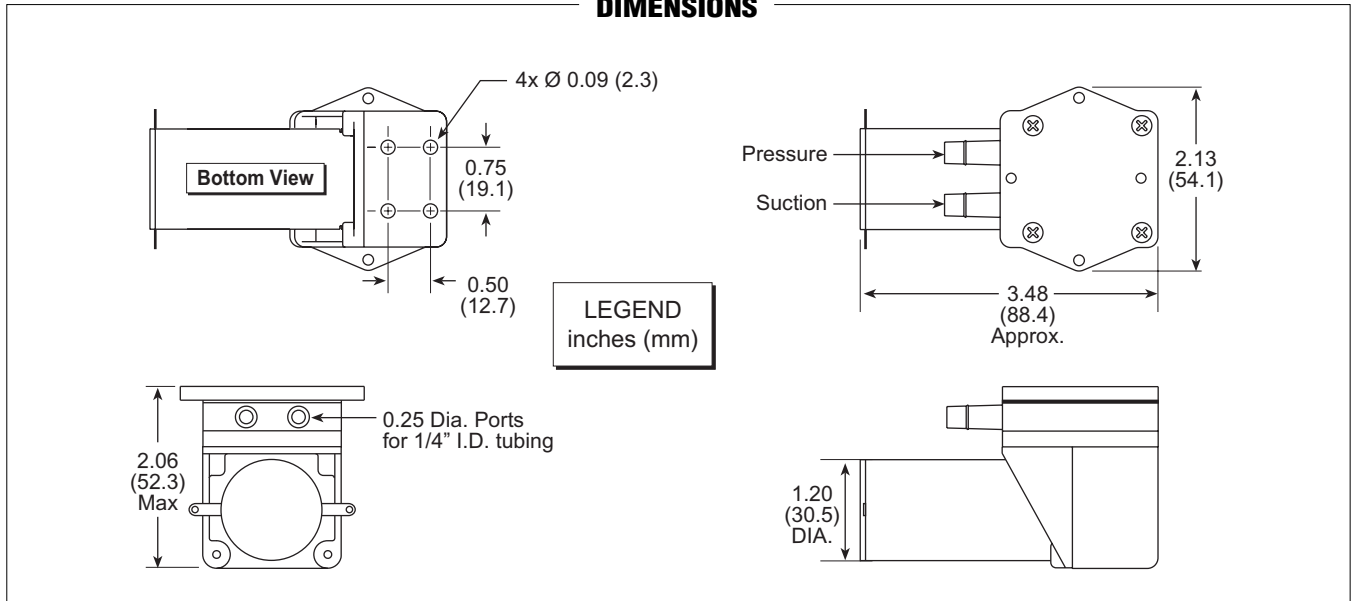


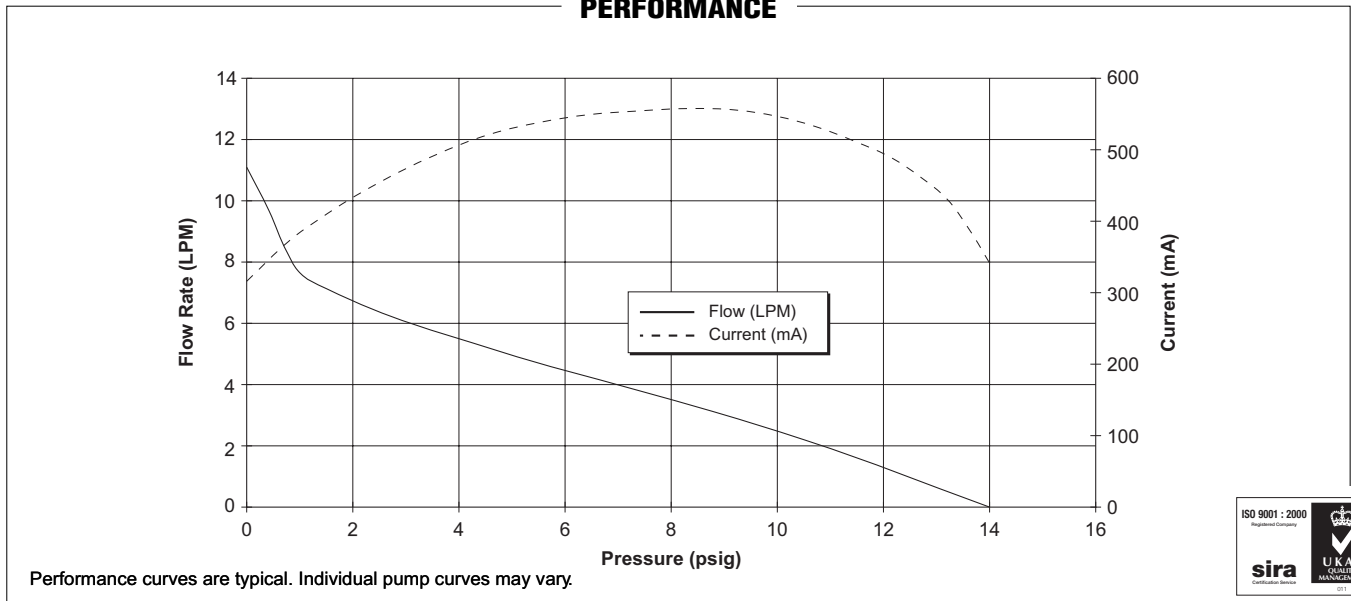
**C Series Micro Air Pump: Part No. C120CNSN (Pressure) Specifications**

	<b>Minimum Free Flow</b>	<b>Minimum Pressure @ Dead Head</b>	<b>Maximum Current @ Free Flow</b>
<b>Model 60</b> .....	11.0 LPM .....	14.0 psig (965 mbar) .....	310 mA
<b>Rated Voltage</b> .....	12.0 volts DC		
<b>Motor Construction</b> .....	Ironless rotor, Ball Bearing		
<b>Diaphragm Material</b> .....	Neoprene (EPDM and Viton also available)		
<b>Pump Body Material</b> .....	Valox		
<b>Operating Temperature Range</b> .....	32°–122°F (0°–50°C)		
<b>Weight</b> .....	10.2 oz (290 grams)		
<b>Size</b> .....	15.3 cubic inches		
<b>Options</b> .....	Four Port Locations, Vibration Mounts, Ports for 3/16" ID Tubing		

**DIMENSIONS**



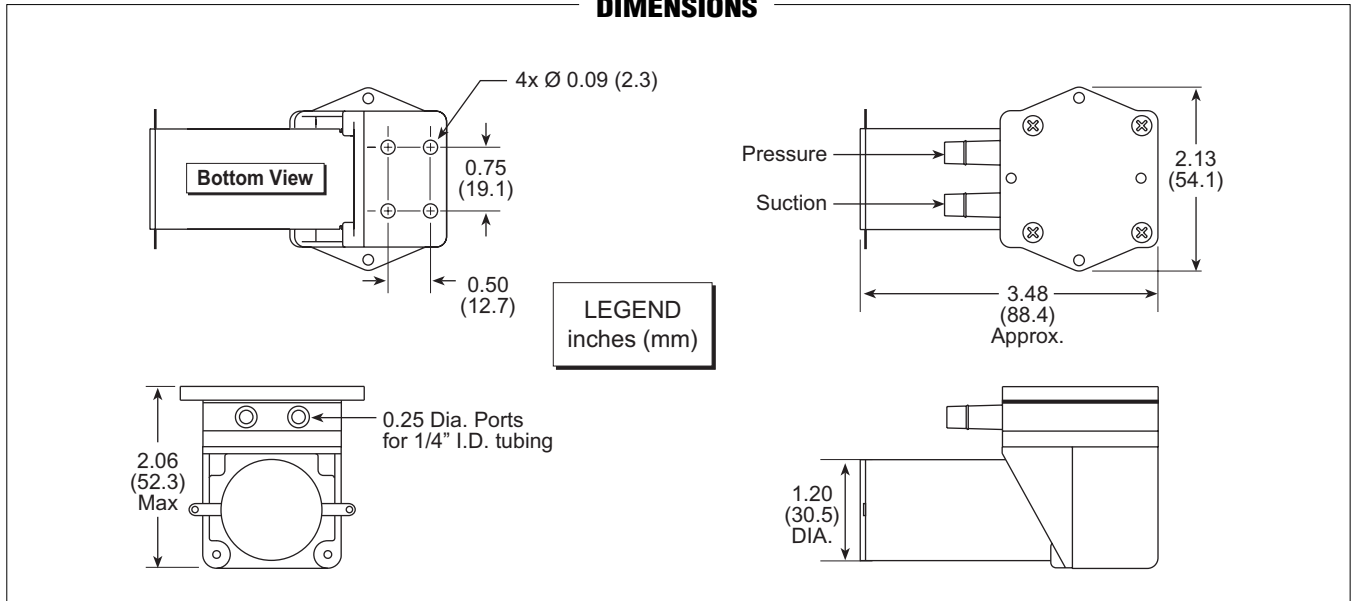
**PERFORMANCE**



**C Series Micro Air Pump: Part No. C120CNSN (Pressure) Specifications**

	<b>Minimum Free Flow</b>	<b>Minimum Pressure @ Dead Head</b>	<b>Maximum Current @ Free Flow</b>
<b>Model 75</b> .....	13.2 LPM .....	18.3 psig (1262 mbar) .....	295 mA
<b>Rated Voltage</b> .....	12.0 volts DC		
<b>Motor Construction</b> .....	Ironless rotor, Ball Bearing		
<b>Diaphragm Material</b> .....	Neoprene (EPDM and Viton also available)		
<b>Pump Body Material</b> .....	Valox		
<b>Operating Temperature Range</b> .....	32°–122°F (0°–50°C)		
<b>Weight</b> .....	10.2 oz (290 grams)		
<b>Size</b> .....	15.3 cubic inches		
<b>Options</b> .....	Four Port Locations, Vibration Mounts, Ports for 3/16" ID Tubing		

**DIMENSIONS**



**PERFORMANCE**

