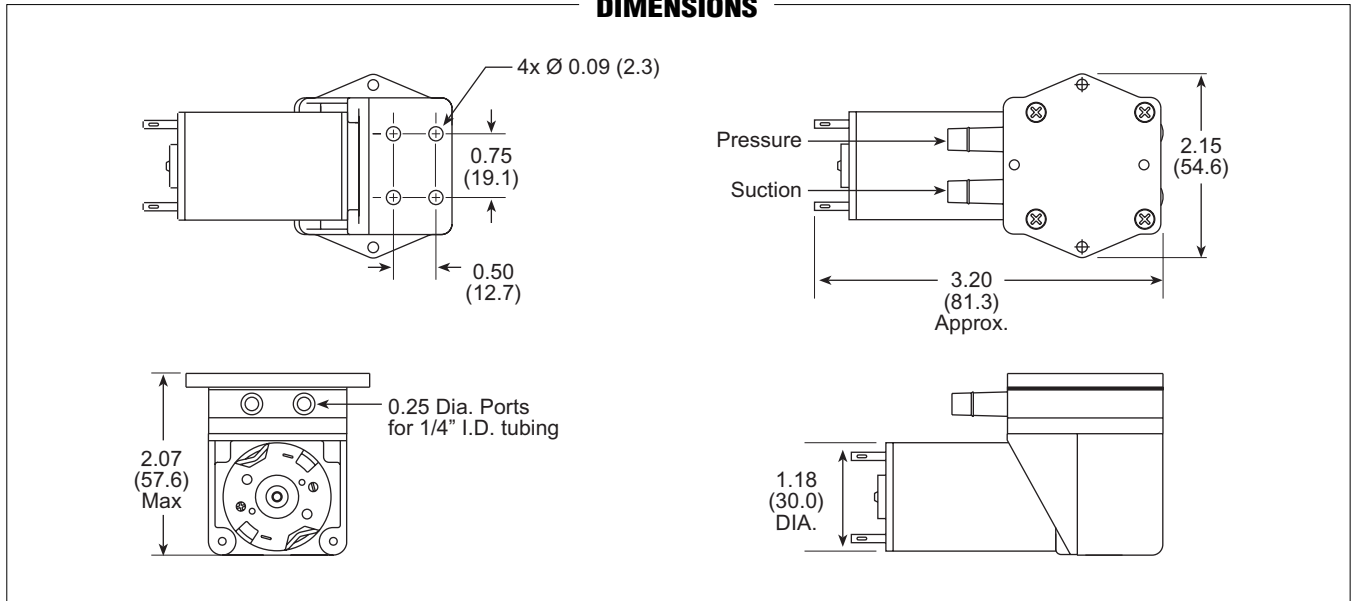


C Series Micro Air Pump: Part No. C120INSN-BB (Pressure) Specifications

	Minimum Free Flow	Minimum Pressure @ Dead Head	Maximum Current @ Free Flow
Model 50	10.5 LPM	11.5 psig (793 mbar)	274 mA
Rated Voltage	12.0 volts DC		
Motor Construction	Iron Rotor, Ball Bearing		
Diaphragm Material	Neoprene (EPDM and Viton also available)		
Pump Body Material	Valox		
Operating Temperature Range	32°–122°F (0°–50°C)		
Weight	7.5 oz (213 grams)		
Size	16.0 cubic inches		
Options	Four Port Locations, Vibration Mounts, Ports for 3/16" ID Tubing.		

DIMENSIONS



PERFORMANCE

