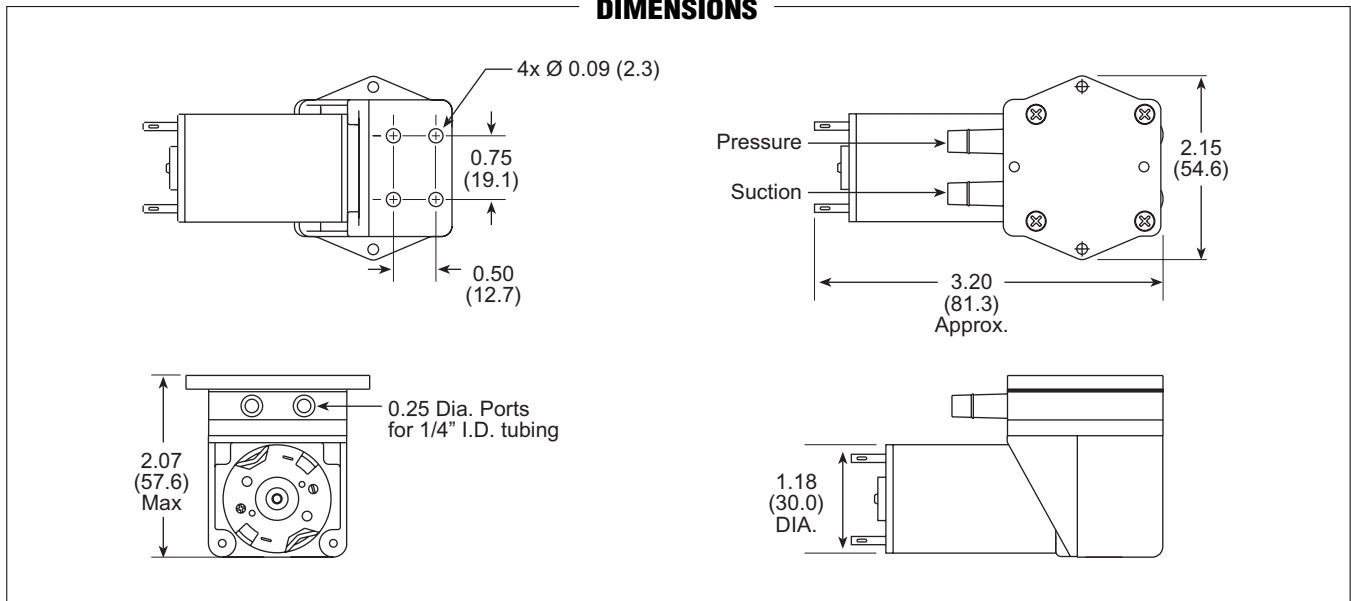


C Series Micro Air Pump: Part No. C120INSN-BB (Vacuum) Specifications

| | Minimum Free Flow | Minimum Vacuum @ Dead Head | Maximum Current @ Free Flow |
|--|---|-----------------------------------|------------------------------------|
| Model 50 | 10.2 LPM | 15.5 "Hg (523 mbar) | 273 mA |
| Rated Voltage | 12.0 volts DC | | |
| Motor Construction | Iron Rotor, Ball Bearing | | |
| Diaphragm Material | Neoprene (EPDM and Viton also available) | | |
| Pump Body Material | Valox | | |
| Operating Temperature Range | 32°–122°F (0°–50°C) | | |
| Weight | 7.5 oz (213 grams) | | |
| Size | 16.0 cubic inches | | |
| Options | Four Port Locations, Vibration Mounts, Ports for 3/16" ID Tubing. | | |

DIMENSIONS



PERFORMANCE

