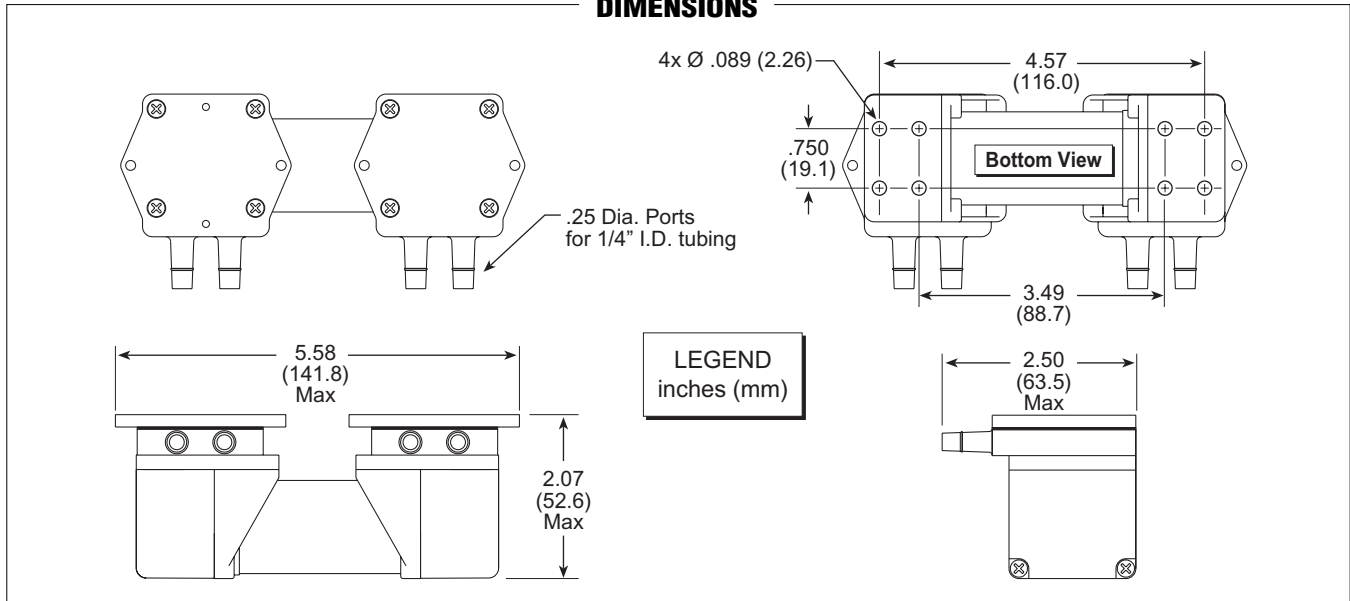


**C Series Dual-Head Micro Air Pump: Part No. CD120BNNN (Pressure) Specifications**

	Minimum Free Flow	Minimum Pressure @ Dead Head	Maximum Current @ Free Flow
<b>Model 60 (per Head)</b> .....	11.6 LPM .....	14.3 psig (986 mbar) .....	535 mA
<b>Parallel Heads</b> .....	19.0 LPM .....	15.0 psig (1034 mbar) .....	535 mA
<b>Rated Voltage</b> .....	12.0 volts DC		
<b>Motor Construction</b> .....	Brushless, Ball Bearing, Dual-Shaft		
<b>Diaphragm Material</b> .....	Neoprene (EPDM and Viton also available)		
<b>Pump Body Material</b> .....	Valox		
<b>Operating Temperature Range</b> .....	32°–122°F (0°–50°C)		
<b>Weight</b> .....	14.23 oz (404 grams)		
<b>Size</b> .....	28.9 cubic inches		
<b>Options</b> .....	Four Port Locations, Vibration Mounts, Ports for 3/16" ID tubing		

**DIMENSIONS**



**PERFORMANCE**

