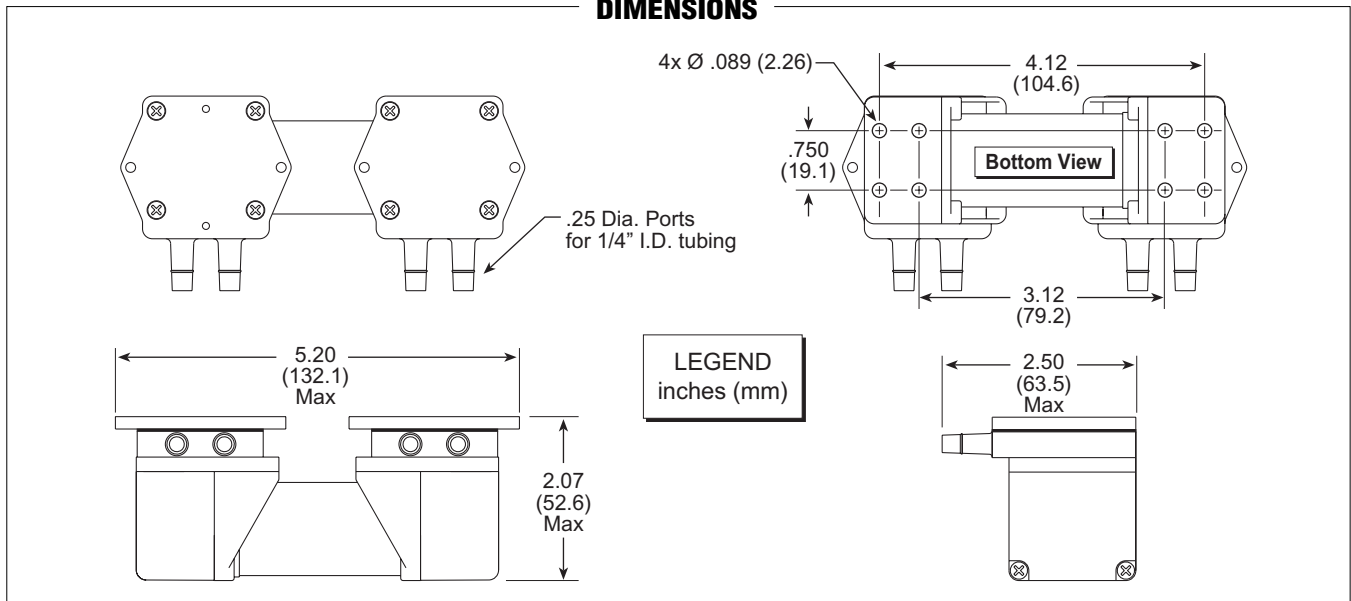


C Series Dual-Head Micro Air Pump: Part No. CD120INNN (Vacuum) Specifications

	Minimum Free Flow	Minimum Vacuum @ Dead Head	Maximum Current @ Free Flow
Model 50 (per Head)	13.5 LPM	14.0 " Hg (473 mbar)	530 mA
Parallel Heads	16.8 LPM	15.1 " Hg (510 mbar)	530 mA
Rated Voltage	12.0 volts DC		
Motor Construction	Ironless Rotor, Ball Bearing, Dual-Shaft		
Diaphragm Material	Neoprene (EPDM and Viton also available)		
Pump Body Material	Valox		
Operating Temperature Range	32°–122°F (0°–50°C)		
Weight	11.8 oz (334 grams)		
Size	26.9 cubic inches		
Options	Four Port Locations, Vibration Mounts.		

DIMENSIONS



PERFORMANCE

