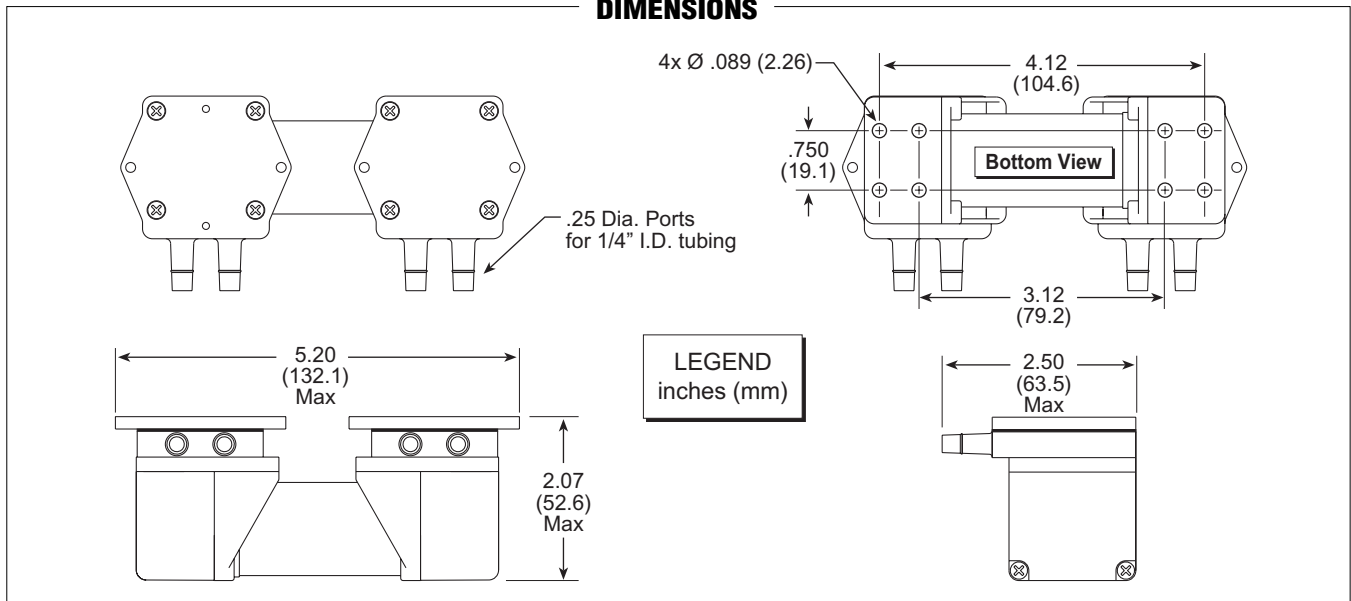


C Series Dual-Head Micro Air Pump: Part No. CD120INNN (Vacuum) Specifications

	Minimum Free Flow	Minimum Vacuum @ Dead Head	Maximum Current @ Free Flow
Model 60 (per Head)	11.5 LPM	17.4 "Hg (588 mbar)	361 mA
Parallel Heads	18.2 LPM	17.4 "Hg (588 mbar)	361 mA
Rated Voltage	12.0 volts DC		
Motor Construction	Ironless Rotor, Ball Bearing, Dual-Shaft		
Diaphragm Material	Neoprene (EPDM and Viton also available)		
Pump Body Material	Valox		
Operating Temperature Range	32°–122°F (0°–50°C)		
Weight	11.8 oz (334 grams)		
Size	26.9 cubic inches		
Options	Four Port Locations, Vibration Mounts., Ports for 3/16" ID tubing		

DIMENSIONS



PERFORMANCE

