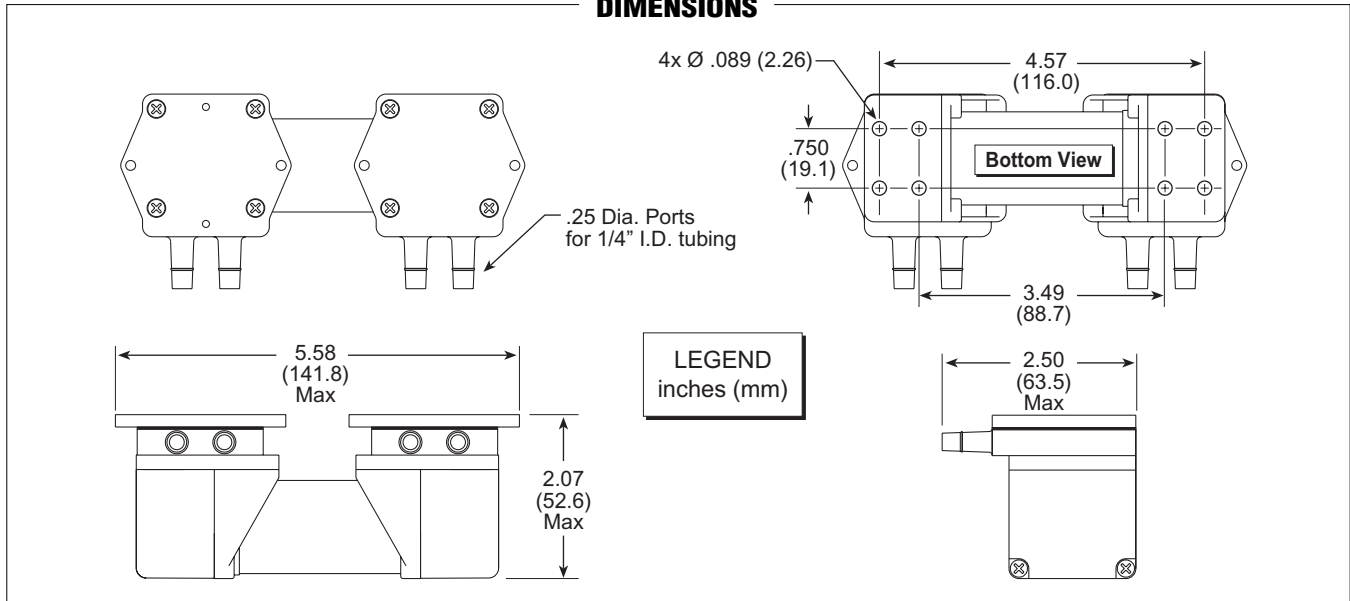


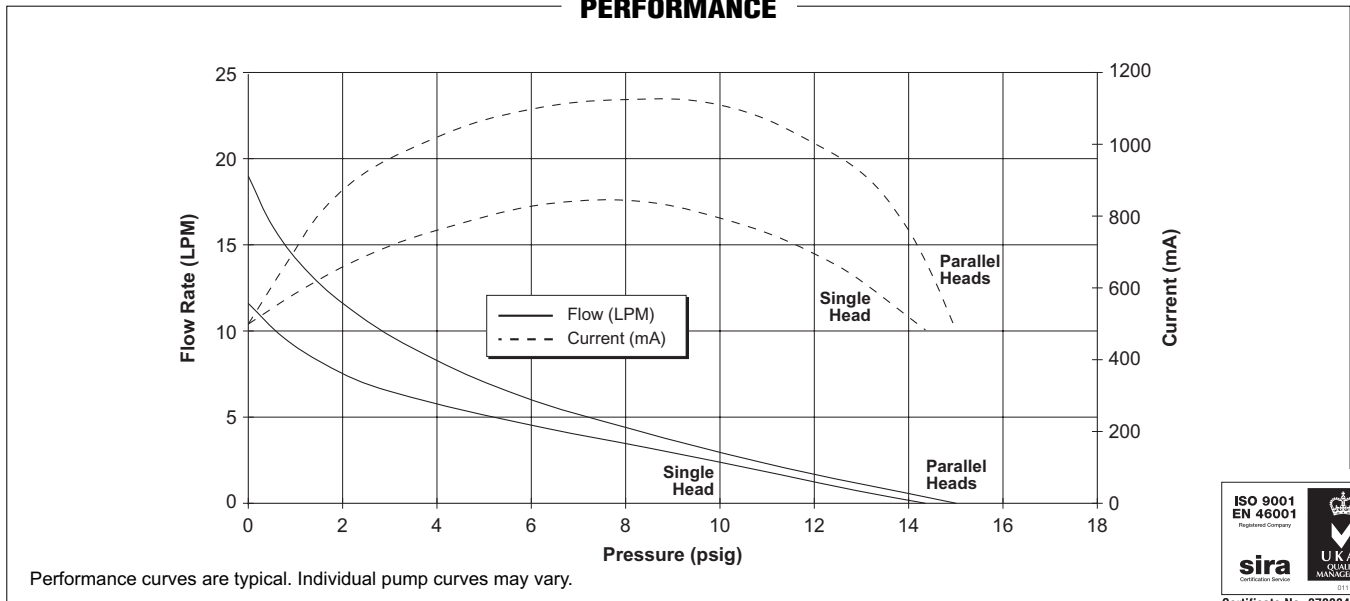
C Series Dual-Head Micro Air Pump: Part No. CD120BNNN (Pressure) Specifications

	Minimum Free Flow	Minimum Pressure @ Dead Head	Maximum Current @ Free Flow
Model 60 (per Head)	11.6 LPM	14.3 psig (986 mbar)	535 mA
Parallel Heads	19.0 LPM	15.0 psig (1034 mbar)	535 mA
Rated Voltage	12.0 volts DC		
Motor Construction	Brushless, Ball Bearing, Dual-Shaft		
Diaphragm Material	Neoprene (EPDM and Viton also available)		
Pump Body Material	Valox		
Operating Temperature Range	32°–122°F (0°–50°C)		
Weight	14.23 oz (404 grams)		
Size	28.9 cubic inches		
Options	Four Port Locations, Vibration Mounts, Ports for 3/16" ID tubing		

DIMENSIONS



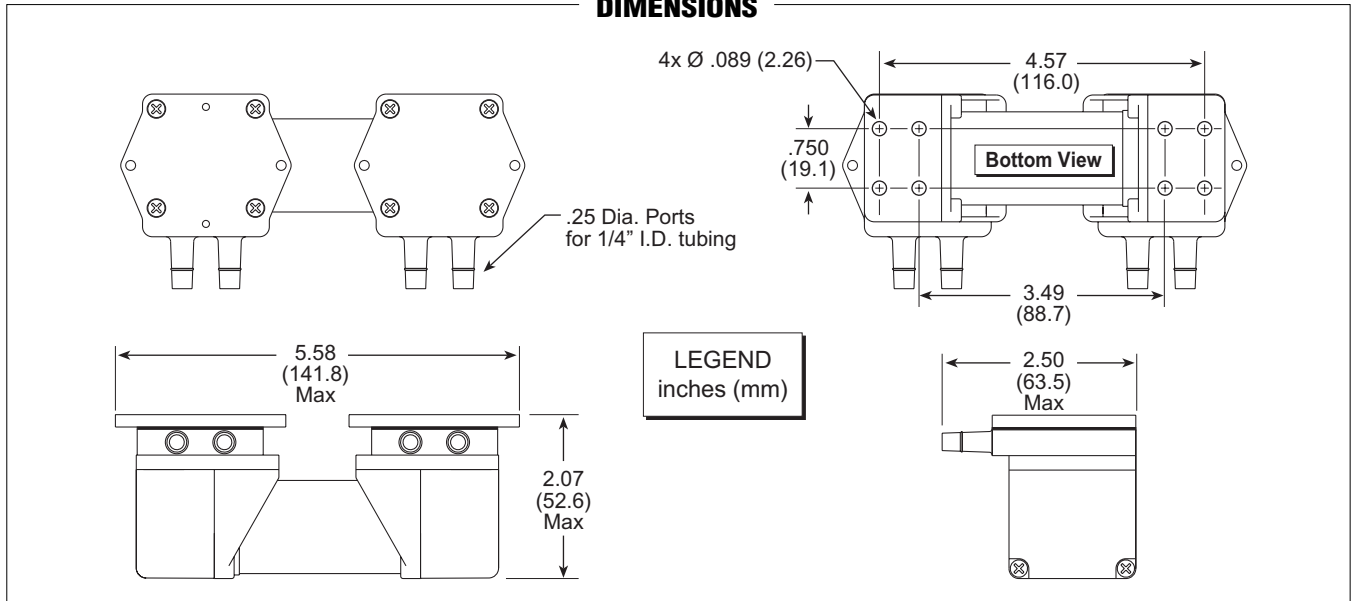
PERFORMANCE



C Series Dual-Head Micro Air Pump: Part No. CD120BNN (Vacuum) Specifications

	Minimum Free Flow	Minimum Vacuum @ Dead Head	Maximum Current @ Free Flow
Model 60 (per Head)	12.1 LPM	18.0 "Hg (608 mbar)	502 mA
Parallel Heads	18.9 LPM	18.5 "Hg (625 mbar)	502 mA
Rated Voltage	12.0 volts DC		
Motor Construction	Brushless, Ball Bearing, Dual-Shaft		
Diaphragm Material	Neoprene (EPDM and Viton also available)		
Pump Body Material	Valox		
Operating Temperature Range	32°–122°F (0°–50°C)		
Weight	14.23 oz (404 grams)		
Size	28.9 cubic inches		
Options	Four Port Locations, Vibration Mounts, Ports for 3/16" ID tubing		

DIMENSIONS



PERFORMANCE

