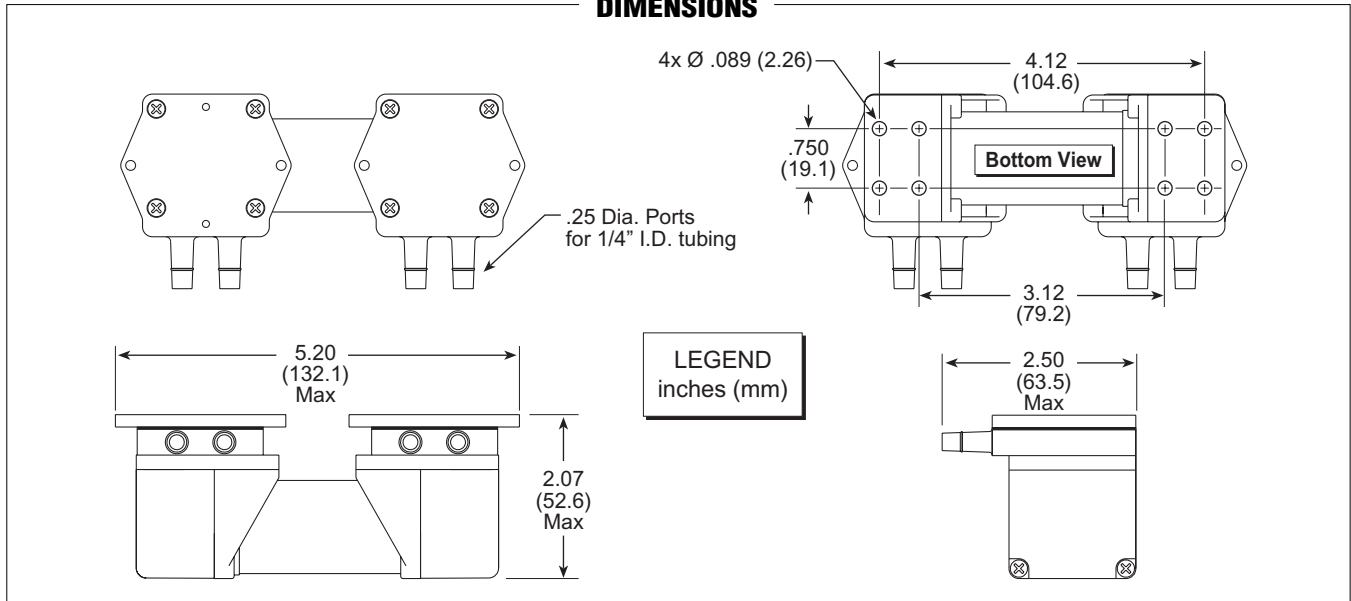


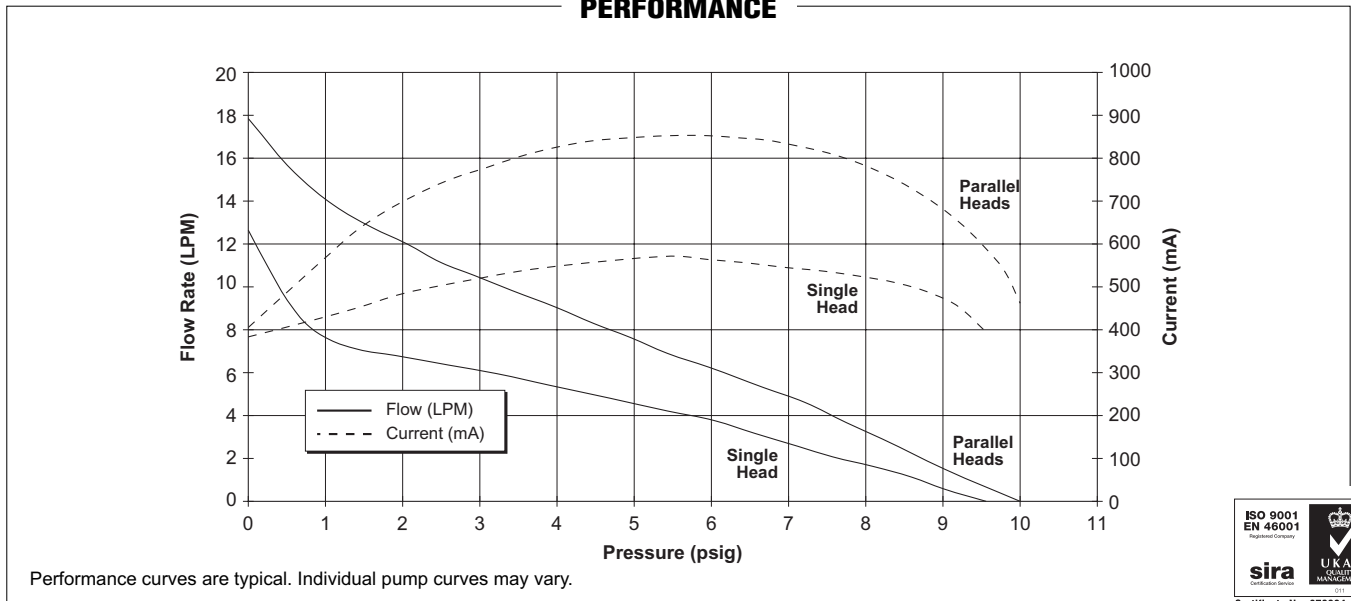
C Series Dual-Head Micro Air Pump: Part No. CD120INNN (Pressure) Specifications

	Minimum Free Flow	Minimum Pressure @ Dead Head	Maximum Current @ Free Flow
Model 50 (per Head)	12.4 LPM	9.6 psig (662 mbar)	545 mA
Parallel Heads	17.9 LPM	10.0 psig (689 mbar)	545 mA
Rated Voltage	12.0 volts DC		
Motor Construction	Ironless Rotor, Ball Bearing, Dual-Shaft		
Diaphragm Material	Neoprene (EPDM and Viton also available)		
Pump Body Material	Valox		
Operating Temperature Range	32°–122°F (0°–50°C)		
Weight	11.8 oz (334 grams)		
Size	26.9 cubic inches		
Options	Four Port Locations, Vibration Mounts.		

DIMENSIONS



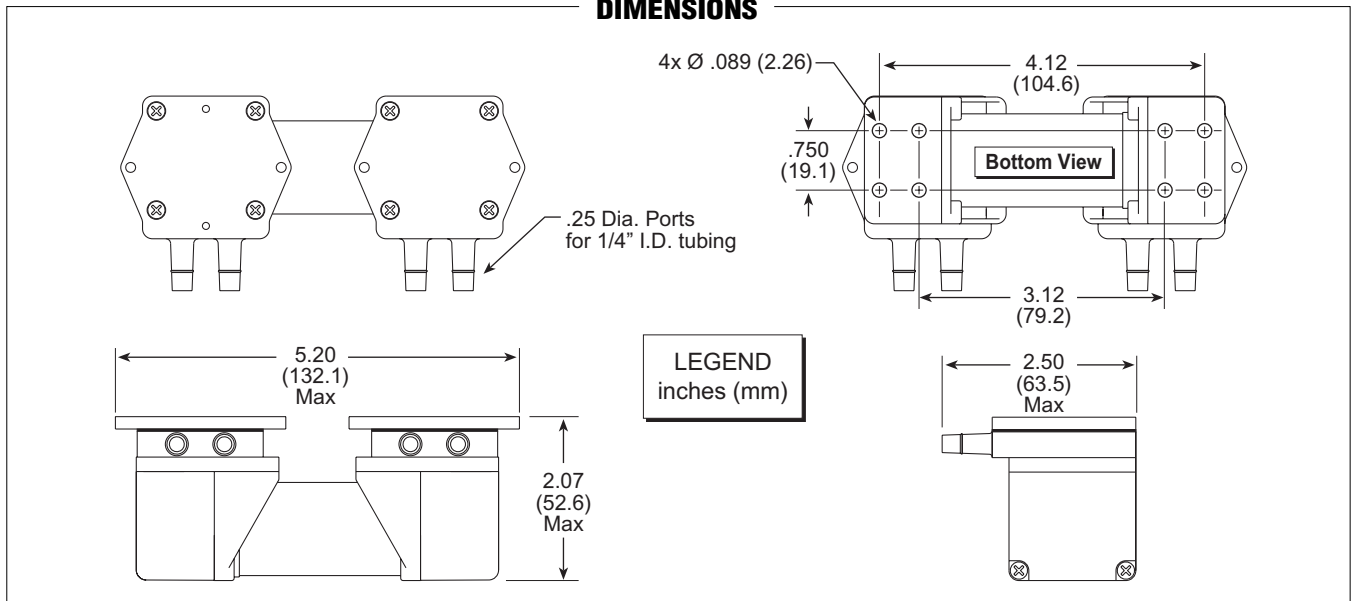
PERFORMANCE



C Series Dual-Head Micro Air Pump: Part No. CD120INNN (Vacuum) Specifications

	Minimum Free Flow	Minimum Vacuum @ Dead Head	Maximum Current @ Free Flow
Model 50 (per Head)	13.5 LPM	14.0 " Hg (473 mbar)	530 mA
Parallel Heads	16.8 LPM	15.1 " Hg (510 mbar)	530 mA
Rated Voltage	12.0 volts DC		
Motor Construction	Ironless Rotor, Ball Bearing, Dual-Shaft		
Diaphragm Material	Neoprene (EPDM and Viton also available)		
Pump Body Material	Valox		
Operating Temperature Range	32°–122°F (0°–50°C)		
Weight	11.8 oz (334 grams)		
Size	26.9 cubic inches		
Options	Four Port Locations, Vibration Mounts.		

DIMENSIONS



PERFORMANCE

