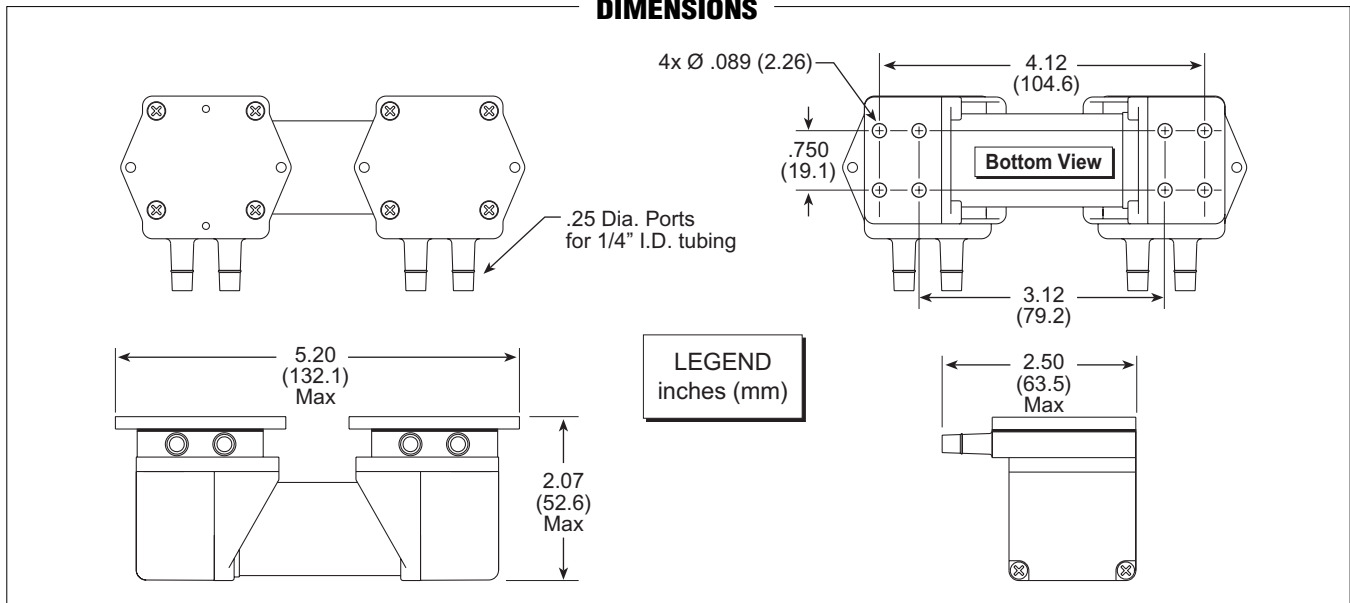


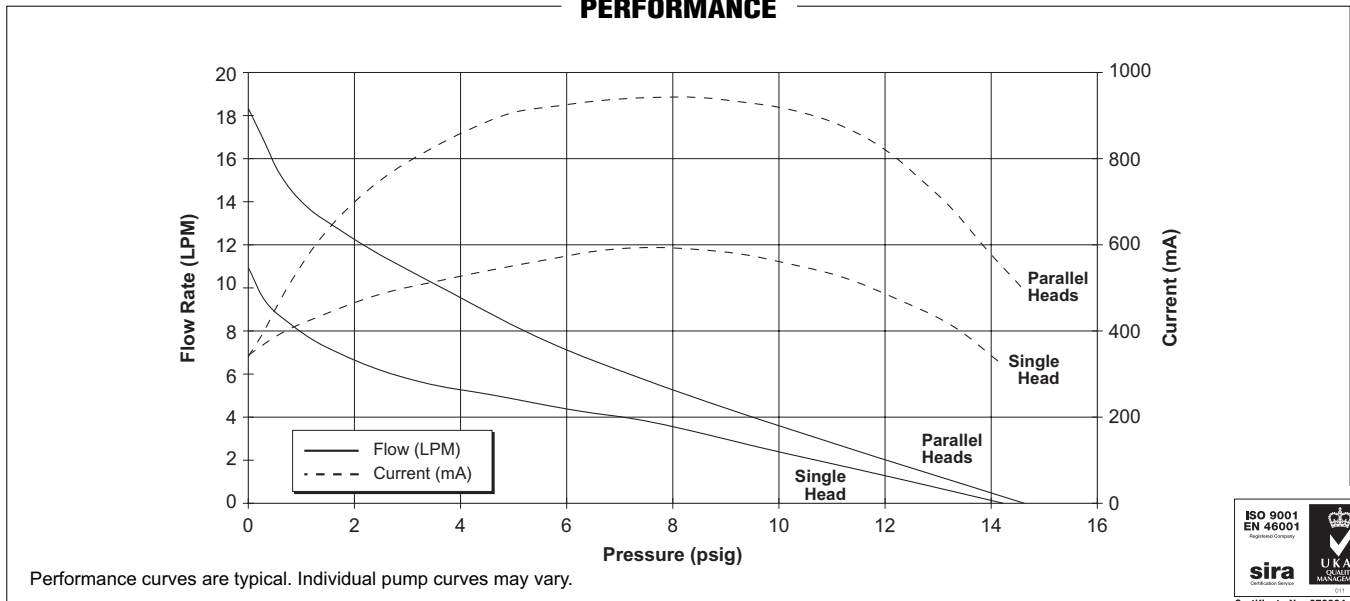
C Series Dual-Head Micro Air Pump: Part No. CD120INNN (Pressure) Specifications

| | Minimum Free Flow | Minimum Pressure @ Dead Head | Maximum Current @ Free Flow |
|------------------------------------------|------------------------------------------------------------------|------------------------------|-----------------------------|
| Model 60 (per Head) | 11.3 LPM | 14.3 psig (986 mbar) | 392 mA |
| Parallel Heads | 18.5 LPM | 14.5 psig (1000 mbar) | 392 mA |
| Rated Voltage | 12.0 volts DC | | |
| Motor Construction | Ironless Rotor, Ball Bearing, Dual-Shaft | | |
| Diaphragm Material | Neoprene (EPDM and Viton also available) | | |
| Pump Body Material | Valox | | |
| Operating Temperature Range | 32°–122°F (0°–50°C) | | |
| Weight | 11.8 oz (334 grams) | | |
| Size | 26.9 cubic inches | | |
| Options | Four Port Locations, Vibration Mounts, Ports for 3/16" ID tubing | | |

DIMENSIONS



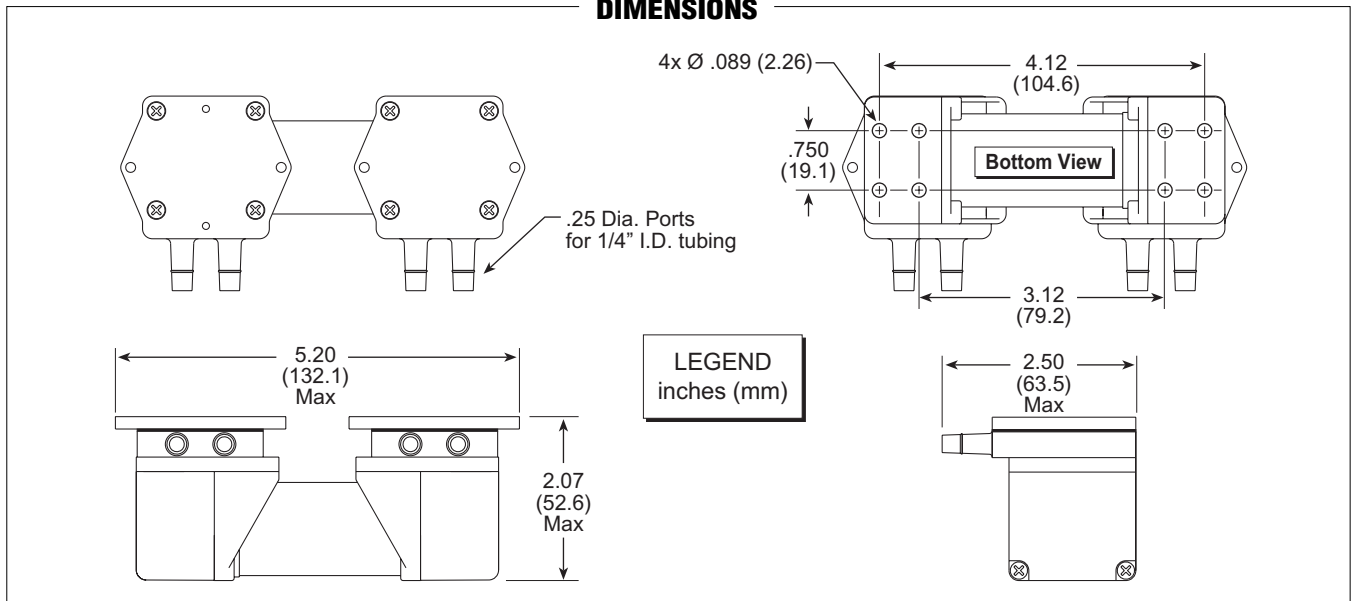
PERFORMANCE



C Series Dual-Head Micro Air Pump: Part No. CD120INNN (Vacuum) Specifications

| | Minimum Free Flow | Minimum Vacuum @ Dead Head | Maximum Current @ Free Flow |
|------------------------------------------|-------------------------------------------------------------------|----------------------------|-----------------------------|
| Model 60 (per Head) | 11.5 LPM | 17.4 "Hg (588 mbar) | 361 mA |
| Parallel Heads | 18.2 LPM | 17.4 "Hg (588 mbar) | 361 mA |
| Rated Voltage | 12.0 volts DC | | |
| Motor Construction | Ironless Rotor, Ball Bearing, Dual-Shaft | | |
| Diaphragm Material | Neoprene (EPDM and Viton also available) | | |
| Pump Body Material | Valox | | |
| Operating Temperature Range | 32°–122°F (0°–50°C) | | |
| Weight | 11.8 oz (334 grams) | | |
| Size | 26.9 cubic inches | | |
| Options | Four Port Locations, Vibration Mounts., Ports for 3/16" ID tubing | | |

DIMENSIONS



PERFORMANCE

