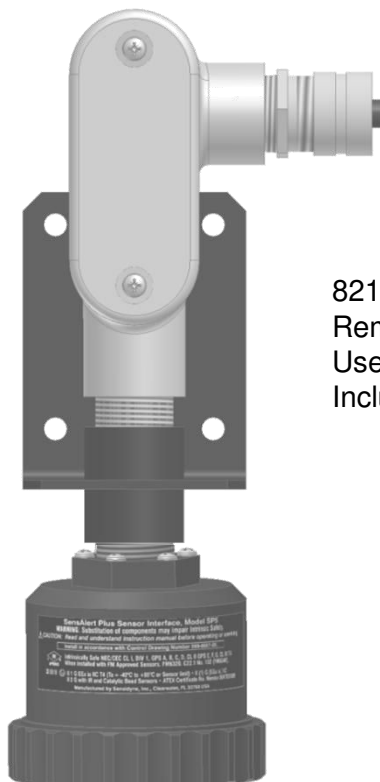


**Sensor Extension Kit Required
Part No. 821-0207-01 or 02
Belden 27326AS Cable By Others.
Rigid Conduit Is Not Required.**

The Bracket May Not Be Needed For Duct Mount Applications. Different Condulets May Be Used To Fit The Application Requirements

821-0207-02 Class I, Division 1 Remote Sensor Kit And Bracket For Use As Required By Customer. Includes Poured Seal At Transmitter



Do Not Install A Sensor Into The Sensor Housing For At Least 24 Hours So The PVC Cement Chemicals Will Not Damage The Sensor



Part No. 821-0201-01 Or 06 (Qty 6) Sensor Filter Barrier



821-0209-01 Bayonet Adapter



7013442 Remote Gassing Fixture Is Optional. Includes Filter Barrier.



821-0209-05 PVC Adapter: Bayonet To 4 Inch Schedule 40 PVC Pipe



4 Inch PVC Reducing Tee, Saddle Or Socket Weld Flange By Others. Hose Clamps (By Others) Secure Saddle to Duct

Sensidyne, LP

PVC Bushing Sensor Mounting Options

Approvals		SCALE		SIZE	DWG. NO
		None	B	Sales Proposal	
Do Not Scale Drawing					