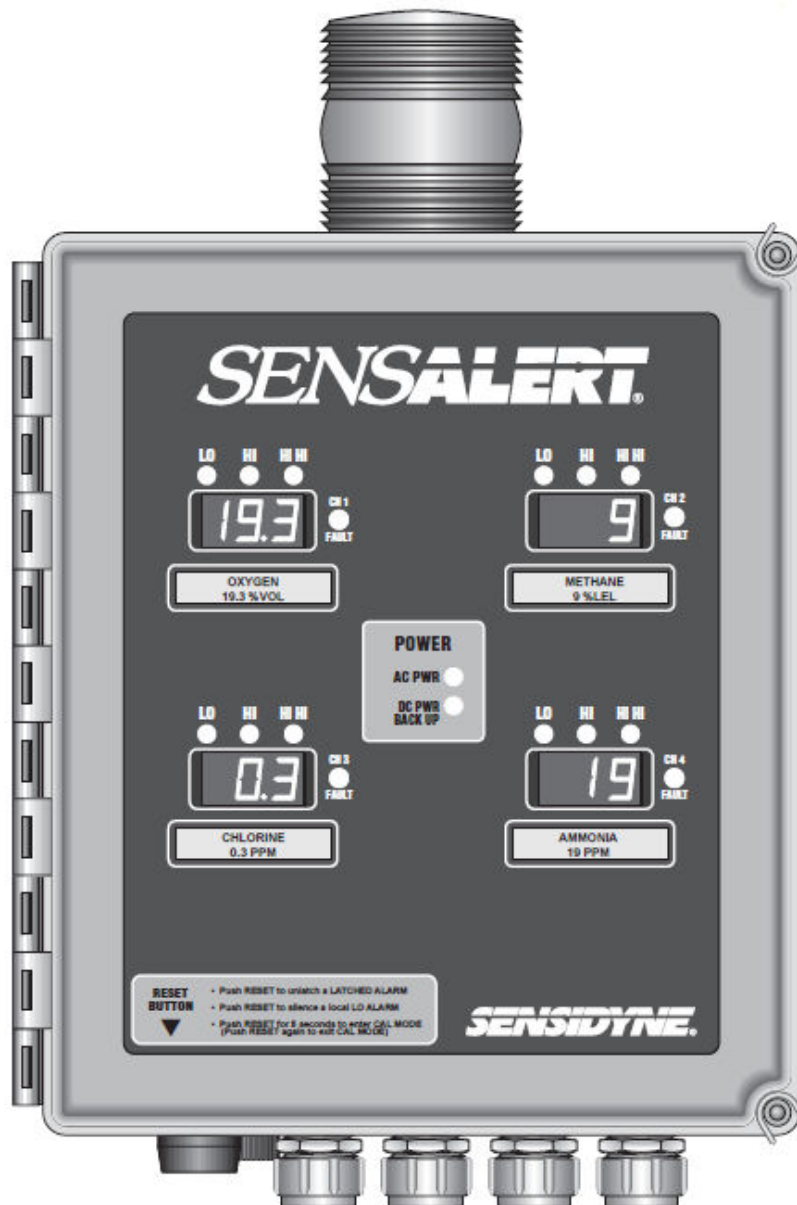


SENSALERT[®]

FOUR CHANNEL CONTROLLER

WITH STROBE

Document No. 360-0055-01
(Revision D)



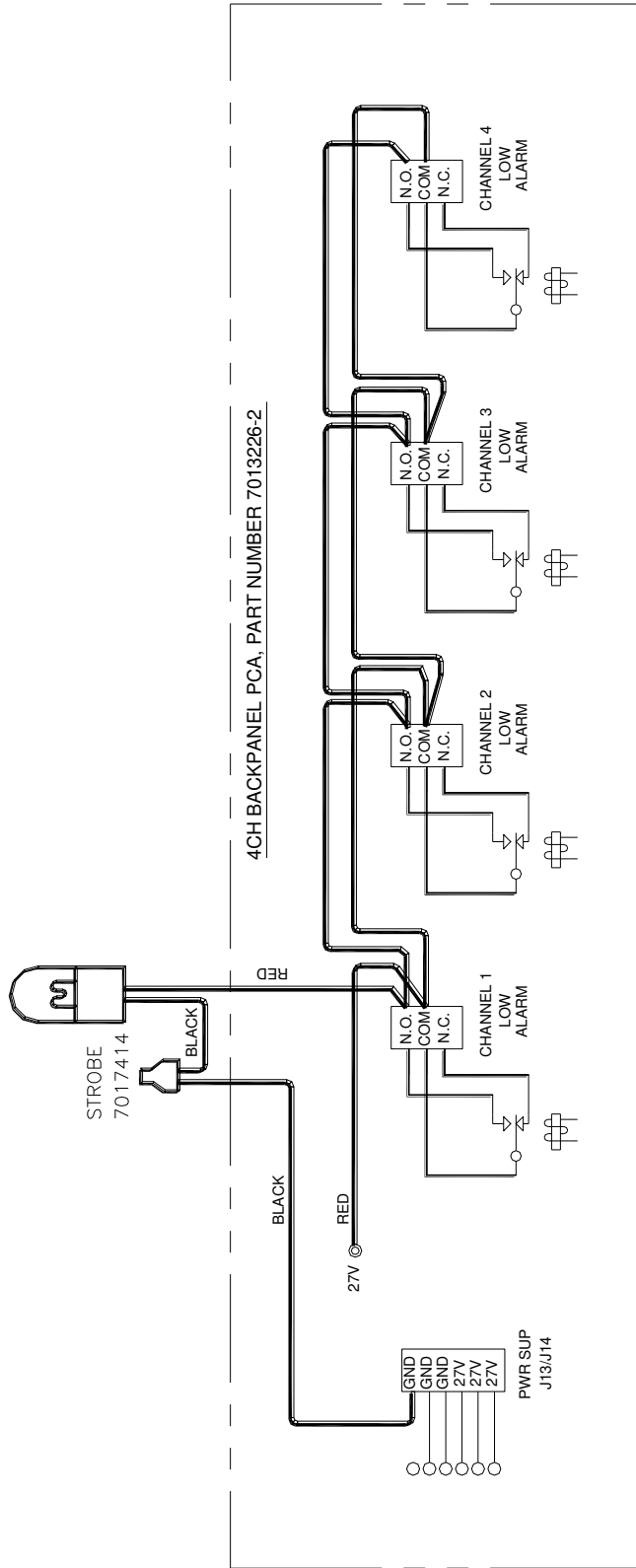
SENSIDYNE[®]

Sensidyne, LP. • 1000 112th Circle N, Suite 100

St. Petersburg, Florida 33716 USA

800-451-9444 • +1 727-530-3602 • +1 727-539-0550 [fax]

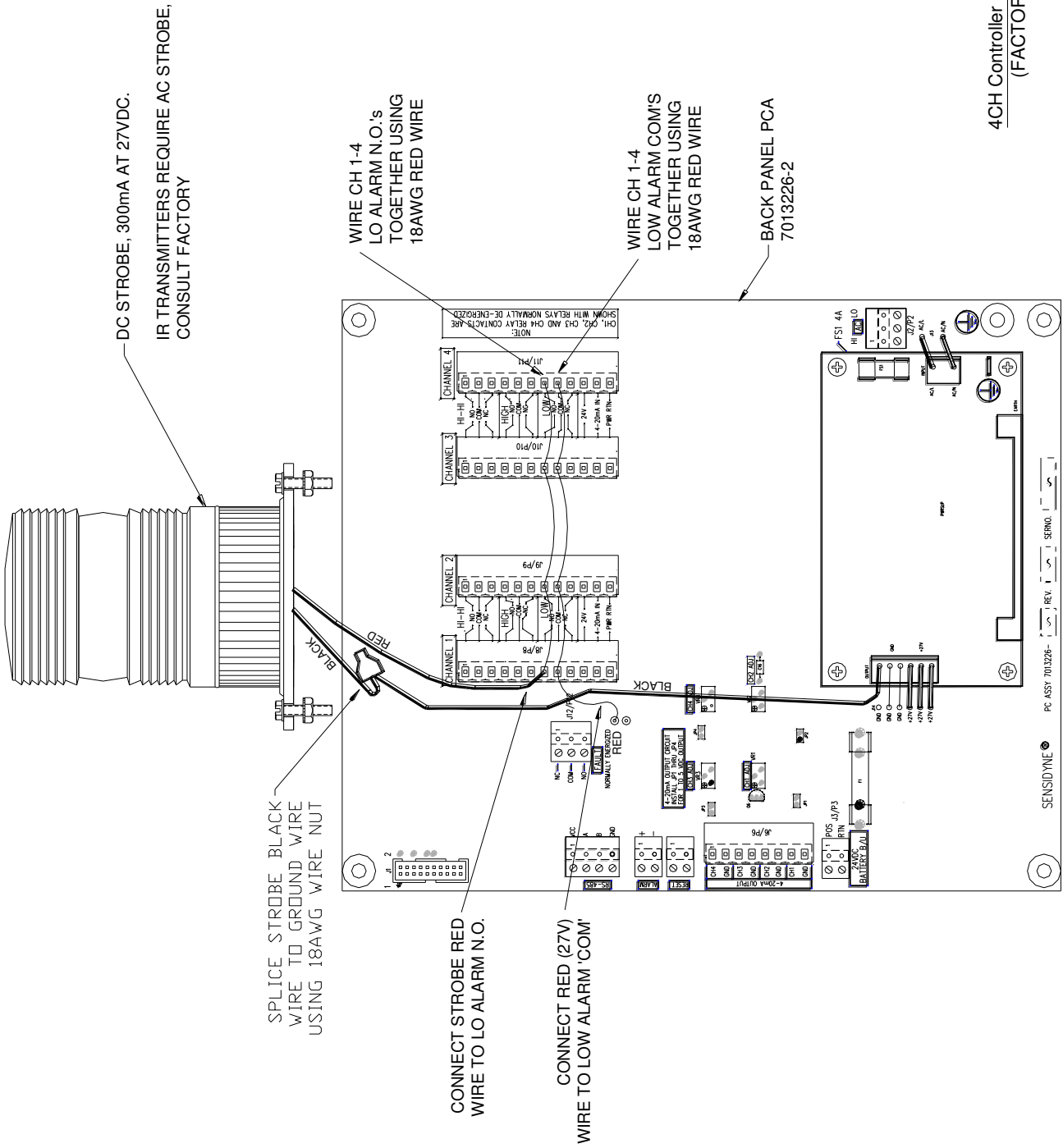
web: www.sensidyne.com • e-mail: info@sensidyne.com



HI-HI, HI, AND LO ALARM ENERGY STATES ARE SOFTWARE SELECTABLE, CONTACTS ARE LABELLED FOR NORMALLY DE-ENERGIZED STATE.

NOTE: IF RELAY STATE IS SELECTED AS NORMALLY ENERGIZED, WIRE TO CONTACTS LABELLED 'NC'

4CH Controller 7013227-2 - Wiring for DC Strobe
(FACTORY INSTALLED)



SENSIDYNE[®]

Sensidyne, LP. • 1000 112TH Circle N, Suite 100
St. Petersburg, Florida 33716 USA
800-451-9444 • +1 727-530-3602 • +1 727-539-0550 [fax]
web: www.sensidyne.com • e-mail: info@sensidyne.com