

# **SENSALERT** PLUS

## **10 WATT POWER MODULE**

### **Instruction Manual**

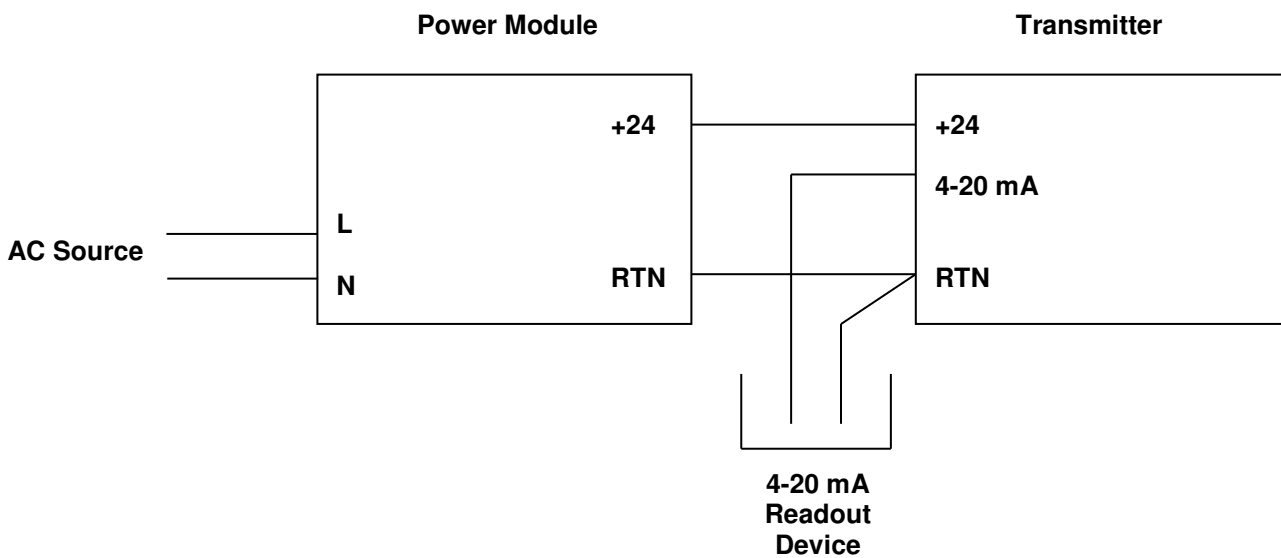
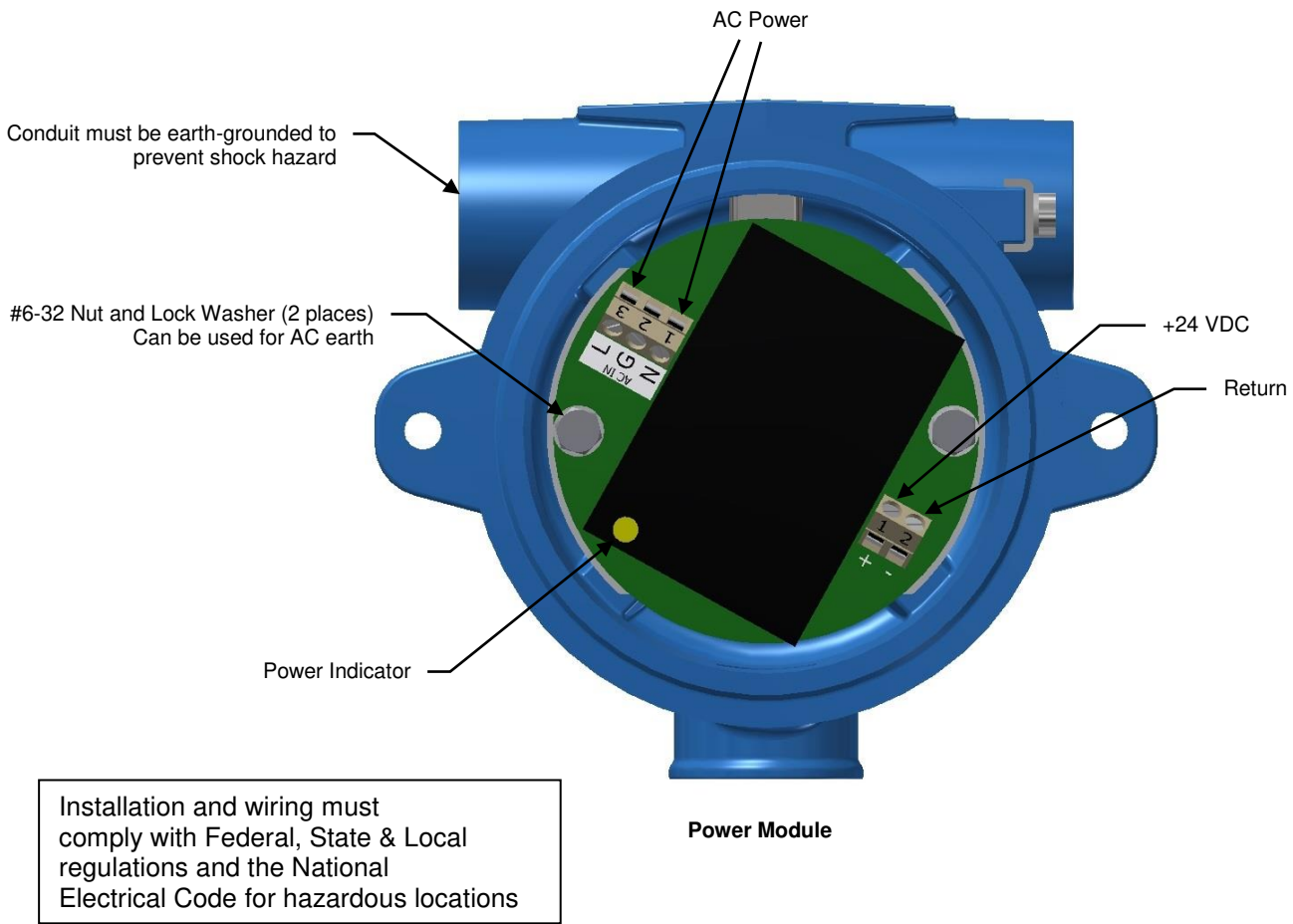
Document No. 360-0185-01  
(Revision B)



## **SENSIDYNE**

Sensidyne, LP.  
1000 112<sup>th</sup> Circle N, Suite 100  
St. Petersburg, Florida 33716 USA  
800-451-9444 • +1 727-530-3602 • +1 727-539-0550 [fax]  
web: [www.sensidyne.com](http://www.sensidyne.com) • e-mail: [info@sensidyne.com](mailto:info@sensidyne.com)

# SensAlert Plus Power Module



**Figure 1**  
**Power Module Components & Wiring Diagram**

# Power Module Specifications

## General Specifications

Conduit.....	3/4" NPT
Dimensions.....	5.71" (W) x 4.96" (H) x 4.21" (D) 145.0 mm (W) x 126.0 mm (H) x 107.0 mm (D)
Weight.....	Approx. 2.54 lbs. (1.15 kg)

## Electrical Specifications

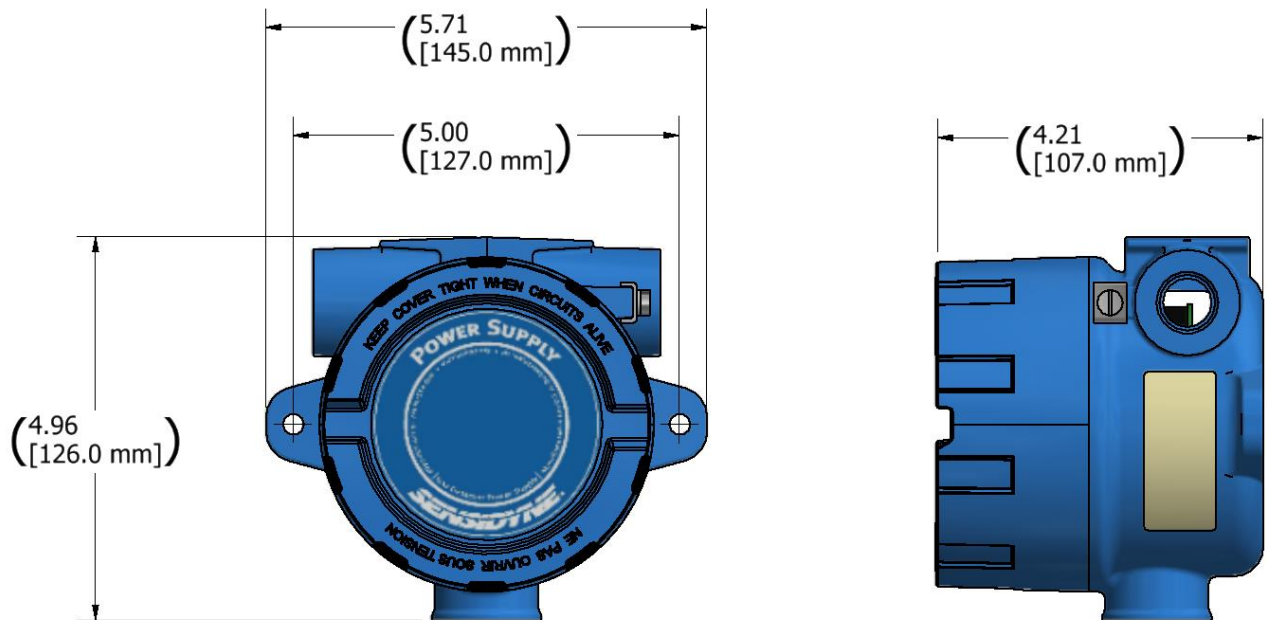
Input.....	85-265 VAC, 50-60 Hz
Output.....	24 V ± 0.1 VDC 420 Ma, 10 W
Wire Size.....	Plugs accept 14-24 AWG

## Classification

**Explosion-Proof Rating For NPT Only:** Classified by CSA certificate 1717515 for use in areas Rated Class I, Groups A,B,C,D, / Class II, Groups E,F,G / Class III Enclosure type 4x / Divisions I & II, Contain the explosion and quench the flame.

## Spare Parts

10 Watt Power Supply Board.....	7013948-3
2 Position Terminal Plug (Output).....	7015316-2
3 Position Terminal Plug (Input).....	7015316-3



***SENSIDYNE***<sup>®</sup>

Sensidyne, LP.  
1000 112<sup>th</sup> Circle N, Suite 100  
St. Petersburg, Florida 33716 USA  
800-451-9444 • +1 727-530-3602 • +1 727-539-0550 [fax]  
web: [www.sensidyne.com](http://www.sensidyne.com) • e-mail: [info@sensidyne.com](mailto:info@sensidyne.com)