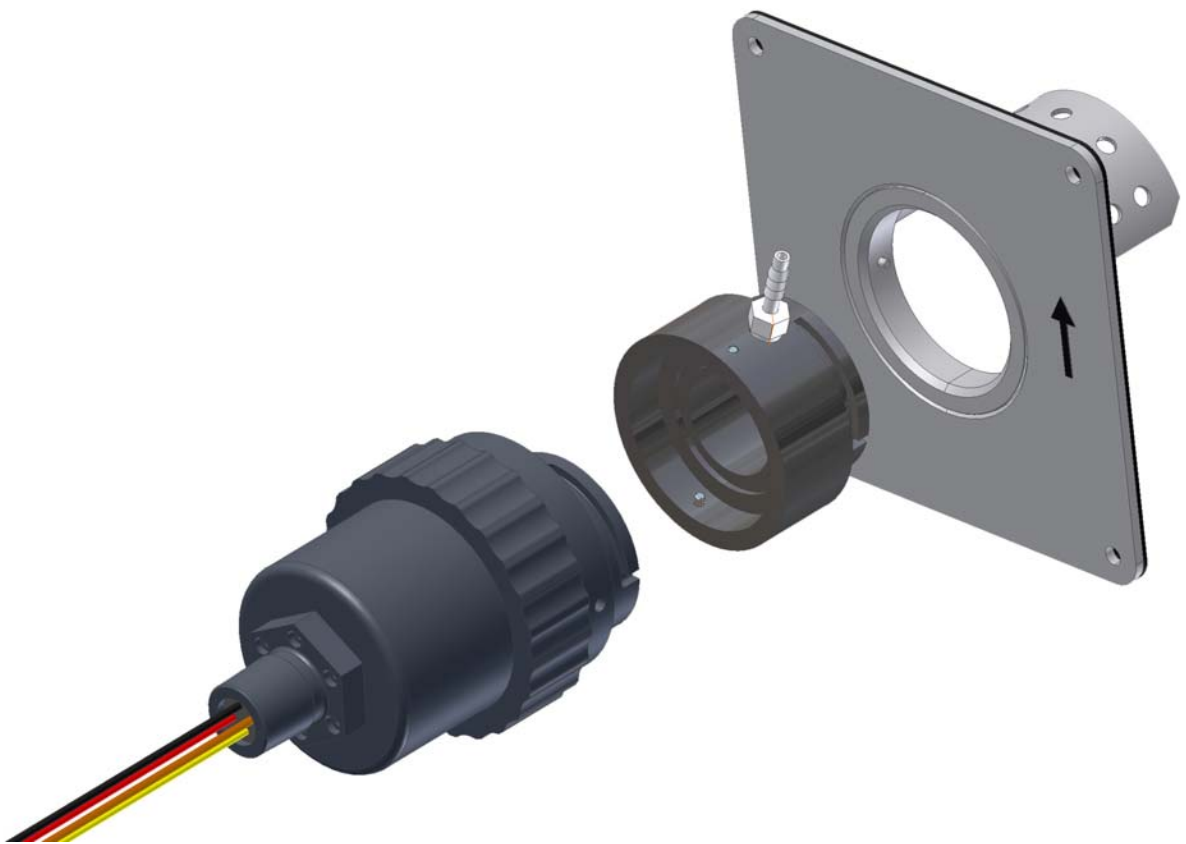


SENSALERT® ***PLUS***

Duct Mount Assembly

Installation Manual

Document No. 360-0093-01
(Revision D)



SENSIDYNE®

Sensidyne, LP
1000 112th Circle N, Suite 100
St. Petersburg, Florida 33716 USA
800-451-9444 • +1 727-530-3602 • +1 727-539-0550 [fax]
web: www.sensidyne.com • e-mail: info@sensidyne.com

Duct Mount Assembly

WARNING

Installation must be done in accordance with all local electrical codes. All warnings and Installation Instructions should be read and understood as contained in the SensAlert Plus Universal Gas Transmitter User Manual (P/N 360-0087-01).

PERFORMANCE WARNING:

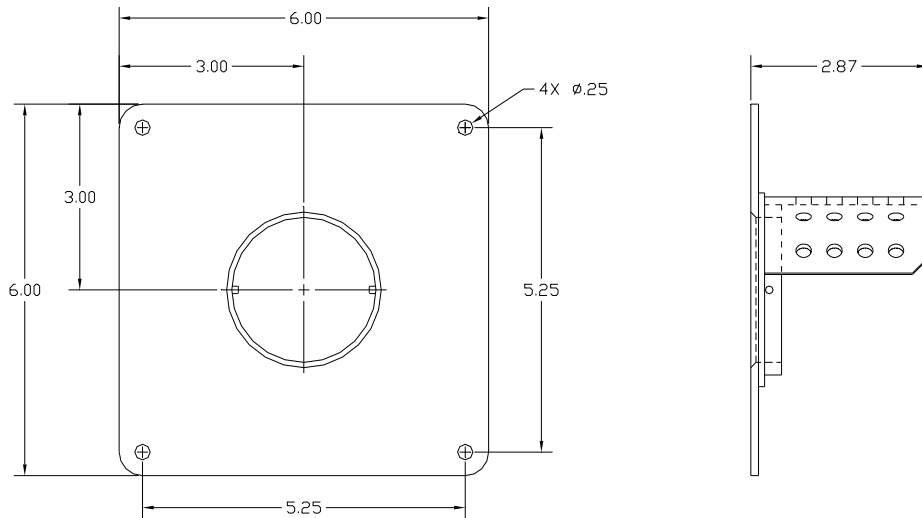
Sensor performance with Duct Mount Kit and Remote Calibration added may vary because of longer diffusion path lengths and variability of flow conditions.

The SensAlert Plus Duct Mount Assembly comes in two versions: A full Duct Mount Kit (P/N 821-0209-02), and a Duct Mount Adapter Kit (P/N 821-0209-01). The Duct Mount Adapter Kit does not contain the Duct Mount Plate or Duct Mount Plate Gasket. Kit components are listed below

- 310-0077-01Duct Mount Sensor Holder
- 150-1467-70Duct Mount Sensor Holder O-ring (Internal)
- 7015044-70-035Duct Mount Sensor Holder O-ring (External)

- 7013418.....Duct Mount Plate (Full Kit only)
- 7013422.....Duct Mount Plate Gasket (Full Kit only)

An optional Remote Calibration Adapter (P/N 7013422) is also recommended.
An optional Remote Sensor Kit (P/N 821-0207-01 or 821-0207-02) is available.



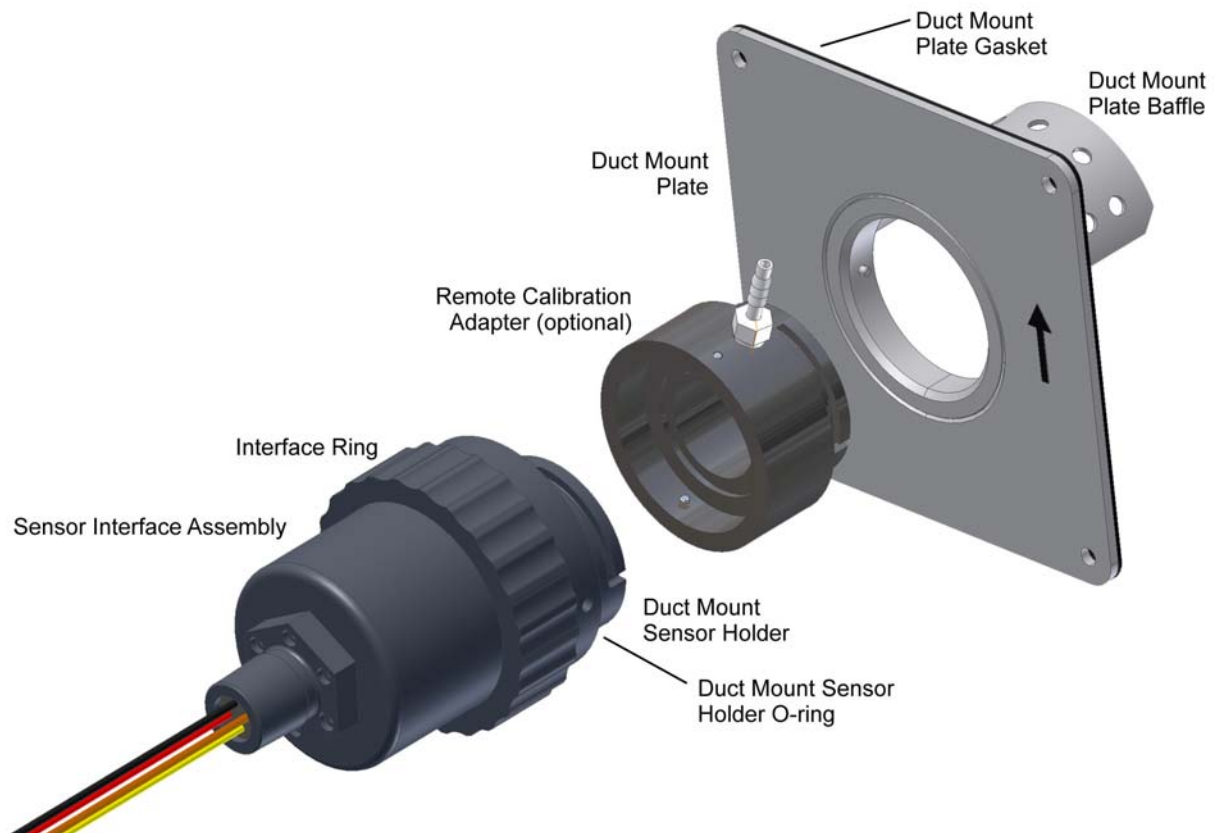
Installation (Full Kit)

Refer to the Figure on the next page and install the Duct Mount Assembly as follows:

- 1) Using the Duct Mount Plate Gasket as a template, locate and mark the opening and the four (4) mounting holes on the duct where the sensor will be installed.
- 2) Cut a 3.5" / 89 mm diameter hole for the sensor. Drill four(4) 0.149" / 3.8 mm diameter holes for the mounting screws.
- 3) Place the Gasket over the Duct Baffle on the Duct Plate. Align the holes in the plate with the holes drilled in the Duct. Mount plate with arrow pointing in direction of air flow. Fasten the Duct Plate using four (4) #10 x 3/4" / 19 mm long self-tapping screws.
- 4) If remote calibration and testing is desired, install the optional Remote Calibration Cup Assembly into the Duct Mount Plate before the Sensor Interface Assembly is mounted.

Transmitter Preparation

- 1) Remove power from the transmitter.
- 2) Unscrew the Interface Ring on the Sensor Interface Assembly and remove Sensor Holder.
- 3) Make certain the O-ring is properly seated inside the Duct Mount Sensor Holder.
- 3) Install the Duct Mount Sensor Holder by aligning the Dowel Pins with the Holes in the Holder.
- 4) Secure the Duct Mount Sensor Holder by tightening the Interface Ring.
- 5) Install the Sensor Interface Assembly into Duct Mount Assembly.
- 6) Apply power to the Transmitter. Allow it to stabilize for *at least* 1 hour before calibrating the unit.



SENSIDYNE[®]

Sensidyne, LP
1000 112th Circle N, Suite 100
St. Petersburg, Florida 33716 USA
800-451-9444 • +1 727-530-3602 • +1 727-539-0550 [fax]
web: www.sensidyne.com • e-mail: info@sensidyne.com

