

# Silica Sampling Kit with Dorr-Oliver Cyclone - Instructions

## Thank You for Purchasing Our Silica Sampling Kit!

This guide will help you correctly set up and use your silica sampling kit to ensure accurate results.

### How to Start Sampling Silica

#### 1. Assemble the Sample Train

Please assemble the sampling train according to the provided picture Figure-1.

2. Connect the tubing to the sampling pump.
3. Attach the cyclone to the **worker's breathing zone**. Ensure it is not obstructed by clothing or movement. Cyclone must stay upright during sampling use provided collar clip assembly.
4. Calibrate Pump and Sample Train using a calibration jar (P/N: 7013376) at 1.7LPM. Figure -2
5. Start your sampling.
6. After the sampling is complete, immediately remove the cassette from the cyclone holder and seal it using the provided plastic plugs.

### Note: Calibrate Before Sampling

Important: Before starting any sampling, you must calibrate the 10mm Nylon Cyclone using calibration jar at 1.7LPM. Calibration jar (P/N 7013376) and Calibrator are **NOT** included in the kit, (purchased separately).

### Tips for Proper Sampling

- ✓ Connect Properly: Ensure the 37mm cassette is connected in the correct orientation. The cassette outlet (red plug) should be positioned upwards, facing toward the pump.
- ✓ Ensure that the Grit pot remains sealed throughout the entire sampling process.
- ✓ After sampling, do not turn the cyclone with the cassette upside down, as this may affect the integrity of the collected sample.
- ✓ Ensure the cyclone is properly seated and sealed to the cassette.

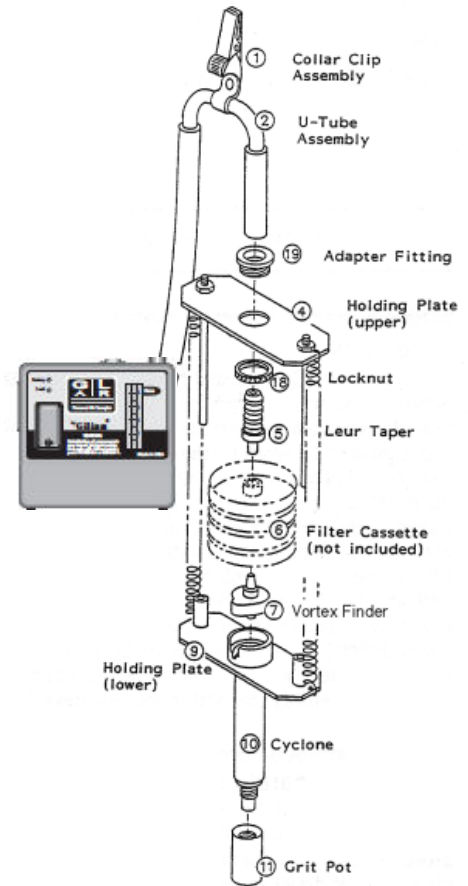


Figure-1

### CYCLONE CALIBRATION JAR

PART NO. 7013376

CYCLONE SAMPLER CALIBRATION SET-UP

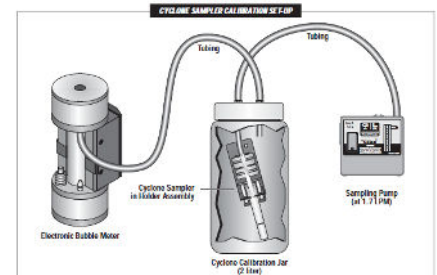


Figure-2